



35Ω, Low-Voltage, SPST/SPDT Analog Switches in UCSP Package

MAX4696/MAX4697/MAX4698

General Description

The MAX4696/MAX4697/MAX4698 low on-resistance (R_{ON}), low-voltage analog switches operate from a single +2.0V to +5.5V supply. The MAX4696/MAX4697 are single-pole/single-throw (SPST) analog switches, and the MAX4698 is a single-pole/double-throw (SPDT) analog switch. The MAX4696 is a normally open (NO) switch, and the MAX4697 is a normally closed (NC) switch.

When powered from a 2.7V supply, these devices feature 35Ω (max) R_{ON} , with 2Ω (max) R_{ON} matching and 13Ω (max) flatness. The MAX4696/MAX4697/MAX4698 offer fast switching speeds ($t_{ON} = 80ns$ max, $t_{OFF} = 25ns$ max). The MAX4698 offers a break-before-make function.

The digital logic inputs are 1.8V logic compatible from a +2.7V to +3.3V supply and are TTL/CMOS compatible from a +4.5V to +5.5V supply. The MAX4696/MAX4697/MAX4698 are packaged in the chip-scale package (UCSP™), significantly reducing the required PC board area. The device occupies only a 1.50mm × 1.02mm area. The 3 × 2 array of solder bumps are spaced with a 0.5mm bump pitch.

Applications

- MP3 Players
- Battery-Operated Equipment
- Relay Replacement
- Audio and Video Signal Routing
- Communications Circuits
- PCMCIA Cards
- Cellular Phones
- Hard Drives
- Modems

Features

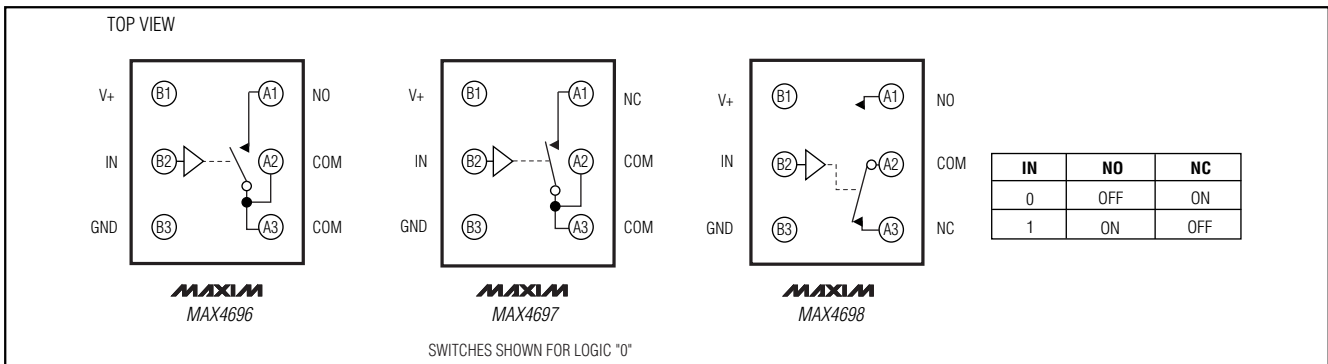
- ◆ 6-Bump, 0.5mm Pitch, UCSP
- ◆ R_{ON}
35Ω max (+3V Supply)
20Ω max (+5V Supply)
- ◆ 2Ω max R_{ON} Match Between Channels
- ◆ 13Ω max R_{ON} Flatness Over Signal Range
- ◆ Low Leakage Currents Over Temperature
1nA (max) at $T_A = +25^\circ C$
- ◆ Fast Switching: $t_{ON} = 80ns$, $t_{OFF} = 25ns$
- ◆ Guaranteed Break-Before-Make (MAX4698)
- ◆ +2.0V to +5.5V Single-Supply Operation
- ◆ Rail-to-Rail® Signal Handling
- ◆ Low Crosstalk: -75dB (100kHz)
- ◆ High Off-Isolation: -75dB (100kHz)
- ◆ 1.8V CMOS Logic Compatible
- ◆ -3dB Bandwidth: >200MHz

Ordering Information

PART	TEMP RANGE	PIN/BUMP-PACKAGE	TOP MARK
MAX4696EBT-T	-40°C to +85°C	6 UCSP	AAL
MAX4697EBT-T	-40°C to +85°C	6 UCSP	AAM
MAX4698EBT-T	-40°C to +85°C	6 UCSP	AAN

Rail-to-Rail is a registered trademark of Nippon Motorola, Ltd.
UCSP is a trademark of Maxim Integrated Products, Inc.

Pin Configurations/Functional Diagrams/Truth Table



35Ω, Low-Voltage, SPST/SPDT Analog Switches in UCSP Package

ABSOLUTE MAXIMUM RATINGS

All Voltages Referenced to GND

V+, IN	-0.3V to +6V
COM, NO, NC (Note 1)	-0.3V to (V+ + 0.3V)
Continuous Current COM, NO, NC	±20mA
Peak Current COM, NO, NC (pulsed at 1ms, 10% duty cycle)	±40mA

Continuous Power Dissipation (T_A = +70°C)

3 × 2 UCSP (derate 10.1mW/°C at +70°C)	808mW
Operating Temperature Range	-40°C to +85°C
Storage Temperature Range	-65°C to +150°C
Bump Temperature (soldering)	
Infrared (15s)	+220°C
Vapor Phase (60s)	+215°C

Note 1: Signals on NO, NC, and COM exceeding V+ are clamped by an internal diode. Limit forward-diode current to maximum current rating.

Stresses beyond those listed under "Absolute Maximum Ratings" may cause permanent damage to the device. These are stress ratings only, and functional operation of the device at these or any other conditions beyond those indicated in the operational sections of the specifications is not implied. Exposure to absolute maximum rating conditions for extended periods may affect device reliability.

ELECTRICAL CHARACTERISTICS—Single +3V Supply

(V+ = +2.7V to +3.3V, V_{IH} = +1.4V, V_{IL} = 0.5V, T_A = T_{MIN} to T_{MAX}, unless otherwise noted. Typical values are at +3V and T_A = +25°C.) (Notes 2, 8)

PARAMETER	SYMBOL	CONDITIONS	T _A	MIN	TYP	MAX	UNITS
ANALOG SWITCH							
Analog Signal Range	V _{COM} , V _{NO} , V _{NC}		T _{MIN} to T _{MAX}	0		V+	V
On-Resistance	R _{ON}	V+ = +2.7V, I _{COM} = 1mA, V _{NO} or V _{NC} = 1.5V	+25°C		30	35	Ω
			T _{MIN} to T _{MAX}			40	
On-Resistance Match Between Channels (MAX4698 only) (Note 4)	ΔR _{ON}	V+ = +2.7V, I _{COM} = 1mA, V _{NO} or V _{NC} = 1.5V	+25°C		1	2	Ω
			T _{MIN} to T _{MAX}			3	
On-Resistance Flatness (Note 5)	R _{FLAT(ON)}	V+ = +2.7V, I _{COM} = 1mA, V _{NO} or V _{NC} = 1V, 1.5V, 2V	+25°C		10	13	Ω
			T _{MIN} to T _{MAX}			15	
NO, NC Off-Leakage Current (Note 3)	I _{NO(OFF)} , I _{NC(OFF)}	V+ = +3.6V; V _{COM} = 0.3V, 3.3V; V _{NO} or V _{NC} = 3.3V, 0.3V	+25°C	-0.5	±0.01	0.5	nA
			T _{MIN} to T _{MAX}	-1		1	
COM Off-Leakage Current (Note 3) (MAX4696, MAX4697 only)	I _{COM(OFF)}	V+ = +3.6V; V _{COM} = 0.3V, 3.3V; V _{NO} or V _{NC} = 0.3V, 3.3V	+25°C	-0.5	±0.01	0.5	nA
			T _{MIN} to T _{MAX}	-1		1	
COM On-Leakage Current (Note 3)	I _{COM(ON)}	V+ = +3.6V; V _{COM} = 0.3V, 3.3V; V _{NO} or V _{NC} = 0.3V, 3.3V, or floating	+25°C	-0.5	±0.01	0.5	nA
			T _{MIN} to T _{MAX}	-2		2	
DYNAMIC CHARACTERISTICS							
Turn-On Time (Note 3)	t _{ON}	V+ = +2.7V; V _{NO} , V _{NC} = 1.5V, R _L = 300Ω, C _L = 35pF, Figure 1	+25°C		50	80	ns
			T _{MIN} to T _{MAX}			110	

35Ω, Low-Voltage, SPST/SPDT Analog Switches in UCSP Package

MAX4696/MAX4697/MAX4698

ELECTRICAL CHARACTERISTICS—Single +3V Supply (continued)

(V+ = +2.7V to +3.3V, V_{IH} = +1.4V, V_{IL} = 0.5V, T_A = T_{MIN} to T_{MAX}, unless otherwise noted. Typical values are at +3V and T_A = +25°C.) (Notes 2, 8)

PARAMETER	SYMBOL	CONDITIONS	T _A	MIN	TYP	MAX	UNITS
Turn-Off Time (Note 3)	t _{OFF}	V+ = +2.7V; V _{NO} , V _{NC} = 1.5V, R _L = 300Ω, C _L = 35pF, Figure 1	+25°C		20	25	ns
			T _{MIN} to T _{MAX}			40	
Break-Before-Make Time (MAX4698 only) (Note 3)	t _{BBM}	V+ = +3.3V; V _{NO} , V _{NC} = 1.5V, Figure 2	+25°C		15		ns
			T _{MIN} to T _{MAX}		2		
Charge Injection	Q	V _{GEN} = 0, R _{GEN} = 0, C _L = 1.0nF, Figure 3	+25°C		8		pC
On-Channel -3dB Bandwidth	BW	Signal = 0dBm, 50Ω in and out, Figure 4	+25°C		200		MHz
Off-Isolation (Note 6)	V _{ISO}	f = 100kHz, R _L = 50Ω, C _L = 5pF, Figure 4	+25°C		-75		dB
Crosstalk (MAX4698 only) (Note 7)	V _{CT}	f = 100kHz, R _L = 50Ω, C _L = 5pF, Figure 4	+25°C		-75		dB
Total Harmonic Distortion	THD	f = 20Hz to 20kHz, 2Vp-p, R _L = 600Ω	+25°C		0.014		%
NO, NC Off-Capacitance	C _{NO(OFF)} , C _{NC(OFF)}	f = 1MHz, Figure 5	+25°C		15		pF
COM Off-Capacitance	C _{COM(OFF)}	f = 1MHz, Figure 5	+25°C		15		pF
Switch On-Capacitance	C _(ON)	f = 1MHz, Figure 6	+25°C		30		pF
DIGITAL I/O							
Input Logic High	V _{IH}		T _{MIN} to T _{MAX}	1.4			V
Input Logic Low	V _{IL}		T _{MIN} to T _{MAX}			0.5	V
Input Leakage Current	I _{IN}	V _{IN} = 0 or V+	T _{MIN} to T _{MAX}	-1		1	μA
POWER SUPPLY							
Power-Supply Range	V+		T _{MIN} to T _{MAX}	2.0		5.5	V
Supply Current	I+	V+ = +3.3V, V _{IN} = 0 or V+	T _{MIN} to T _{MAX}			1	μA

ELECTRICAL CHARACTERISTICS—Single +5V Supply

(V+ = +4.5V to +5.5V, V_{IH} = +2.4V, V_{IL} = 0.8V, T_A = T_{MIN} to T_{MAX}, unless otherwise noted. Typical values are at +5V and T_A = +25°C.) (Notes 2, 8)

PARAMETER	SYMBOL	CONDITIONS	T _A	MIN	TYP	MAX	UNITS
ANALOG SWITCH							
Analog Signal Range	V _{COM} , V _{NO} , V _{NC}			0		V+	V
On-Resistance	R _{ON}	V+ = +4.5V, I _{COM} = 1mA, V _{NO} or V _{NC} = 1V, 3.5V	+25°C		15	20	Ω
			T _{MIN} to T _{MAX}			25	
On-Resistance Match (MAX4698 only) (Note 4)	ΔR _{ON}	V+ = 4.5V, I _{COM} = 1mA, V _{NO} or V _{NC} = 1V, 3.5V	+25°C		1	3	Ω
			T _{MIN} to T _{MAX}			4	

35Ω, Low-Voltage, SPST/SPDT Analog Switches in UCSP Package

ELECTRICAL CHARACTERISTICS—Single +5V Supply (continued)

(V+ = +4.5V to +5.5V, V_{IH} = +2.4V, V_{IL} = 0.8V, T_A = T_{MIN} to T_{MAX}, unless otherwise noted. Typical values are at +5V and T_A = 25°C.) (Notes 2, 8)

PARAMETER	SYMBOL	CONDITIONS	T _A	MIN	TYP	MAX	UNITS
On-Resistance Flatness (Note 5)	R _{FLAT(ON)}	V+ = +4.5V, I _{COM} = 1mA, V _{NO} or V _{NC} = 1V, 2.25V, 3.5V	+25°C	3	4	5	Ω
			T _{MIN} to T _{MAX}				
NO, NC Off-Leakage Current (Note 3)	I _{NO(OFF)} , I _{NC(OFF)}	V+ = +5.5V; V _{COM} = 1V, 4.5V; V _{NO} or V _{NC} = 4.5V, 1V	+25°C	-0.5	±0.01	0.5	nA
			T _{MIN} to T _{MAX}	-1		1	
COM Off-Leakage Current (MAX4696, MAX4697 only) (Note 3)	I _{COM(OFF)}	V+ = +5.5V; V _{COM} = 1V, 4.5V; V _{NO} or V _{NC} = 4.5V, 1V	+25°C	-0.5	±0.01	0.5	nA
			T _{MIN} to T _{MAX}	-1		1	
COM On-Leakage Current (Note 3)	I _{COM(ON)}	V+ = +5.5V; V _{COM} = 1V, 4.5V; V _{NO} or V _{NC} = 1V, 4.5V, or floating	+25°C	-0.5	±0.01	0.5	nA
			T _{MIN} to T _{MAX}	-2		2	
Turn-On Time (Note 3)	t _{ON}	V+ = +5.5V, V _{NO} , V _{NC} = 3V, R _L = 300Ω, C _L = 35pF, Figure 1	+25°C		30	40	ns
			T _{MIN} to T _{MAX}			50	
Turn-Off Time (Note 3)	t _{OFF}	V+ = +5.5V, V _{NO} , V _{NC} = 3V, R _L = 300Ω, C _L = 35pF, Figure 1	+25°C		15	20	ns
			T _{MIN} to T _{MAX}			25	
Break-Before-Make Time (MAX4698 only) (Note 3)	t _{BBM}	V+ = +5.5V, V _{NO} , V _{NC} = 3V, R _L = 300Ω, C _L = 35pF, Figure 2	+25°C		9		ns
			T _{MIN} to T _{MAX}	2			
DIGITAL I/O							
Input Logic High	V _{IH}			2.4			V
Input Logic Low	V _{IL}					0.8	V
Input Leakage Current	I _{IN}	V _{IN} = 0 or V+		-1		1	μA
SUPPLY							
Power-Supply Range	V+			2.0		5.5	V
Supply Current	I+	V+ = +5.5V, V _{IN} = 0 or V+				1	μA

Note 2: The algebraic convention, where the most negative value is a minimum and the most positive value a maximum, is used in this data sheet.

Note 3: Guaranteed by design.

Note 4: $\Delta R_{ON} = R_{ON(MAX)} - R_{ON(MIN)}$, between switches.

Note 5: Flatness is defined as the difference between the maximum and minimum value of on-resistance as measured over the specified analog signal ranges.

Note 6: Off-Isolation = $20\log_{10}(V_{COM} / V_{NO})$, V_{COM} = output, V_{NO} = input to off switch.

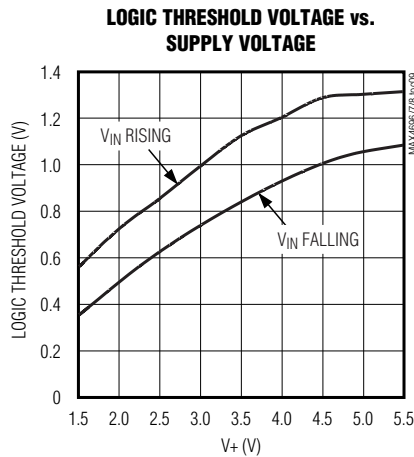
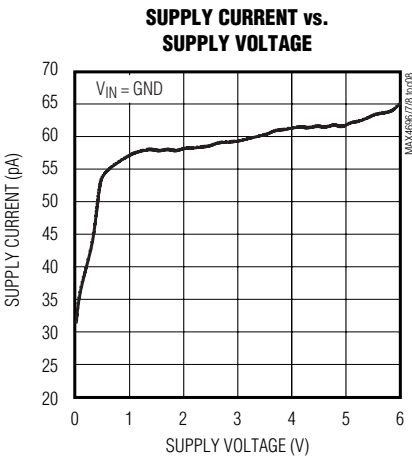
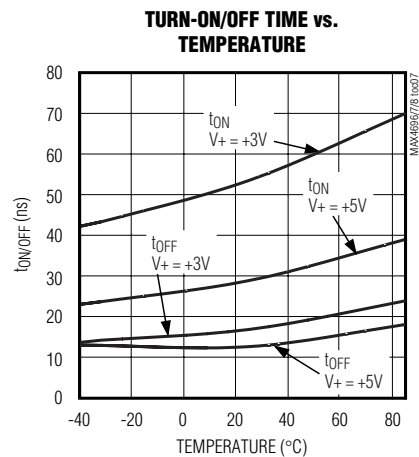
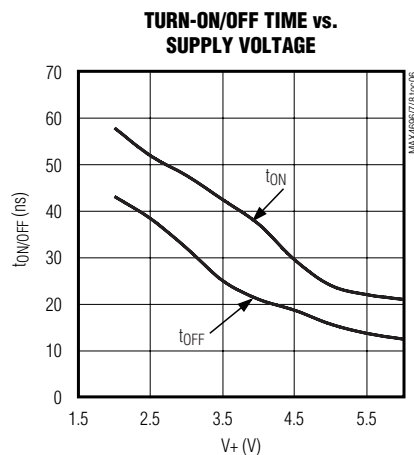
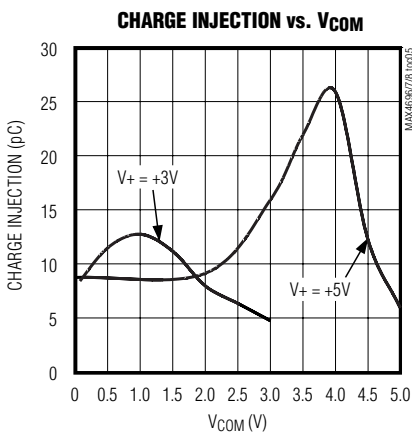
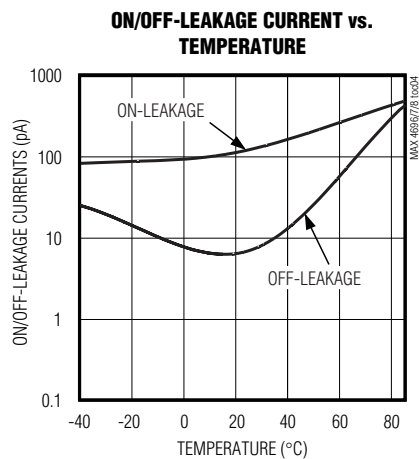
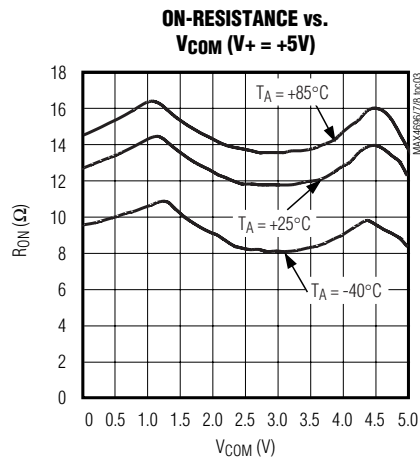
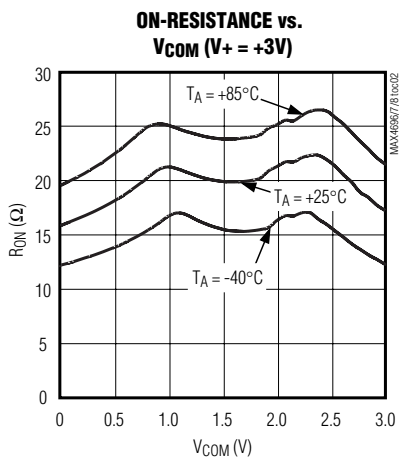
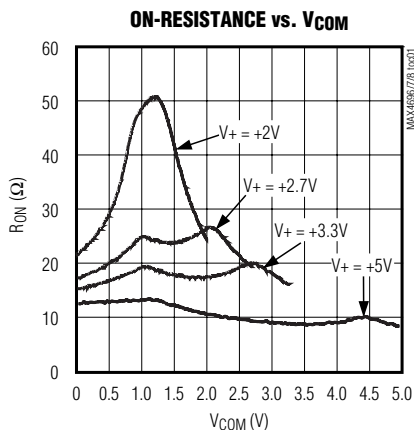
Note 7: Between switches.

Note 8: UCSP parts are 100% tested at +25°C only, and guaranteed by correlation at the full-rated temperature.

35Ω, Low-Voltage, SPST/SPDT Analog Switches in UCSP Package

Typical Operating Characteristics

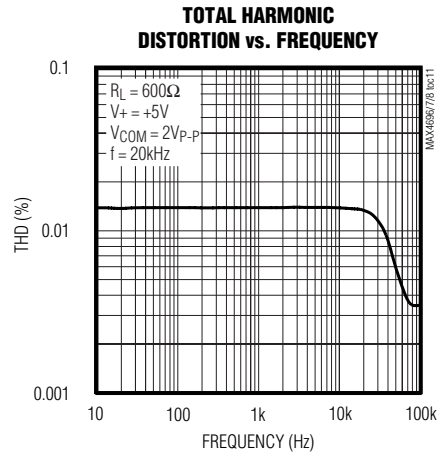
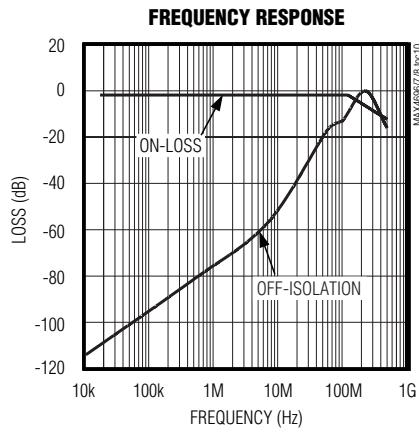
($T_A = +25^\circ\text{C}$, unless otherwise noted.)



35Ω, Low-Voltage, SPST/SPDT Analog Switches in UCSP Package

Typical Operating Characteristics (continued)

(T_A = +25°C, unless otherwise noted.)



Pin/Bump Description

PIN/BUMP			NAME	FUNCTION
MAX4696	MAX4697	MAX4698		
B1	B1	B1	V+	Positive Supply Voltage Input
B2	B2	B2	IN	Digital Control Input
B3	B3	B3	GND	Ground
—	A1	A3	NC	Analog Switch, Normally Closed Terminal
A2, A3	A2, A3	A2	COM	Analog Switch, Common Terminal
A1	—	A1	NO	Analog Switch, Normally Open Terminal

Applications Information

Logic Inputs

Where the MAX4696/MAX4697/MAX4698 have a +3.3V supply, IN may be driven low to GND and driven high to 5.5V. Driving IN rail-to-rail minimizes power consumption. Logic inputs accept up to +5.5V regardless of supply voltage.

Analog Signal Levels

Analog signals that range over the entire supply voltage (GND to V+) are passed with very little change in R_{ON} (see *Typical Operating Characteristics*). The switches are bidirectional, so the NO, NC, and COM terminals are both inputs or outputs.

Power-Supply Sequencing and Overvoltage Protection

CAUTION: Do not exceed the absolute maximum ratings because stresses beyond the listed ratings may cause permanent damage to devices.

Proper power-supply sequencing is recommended for all CMOS devices. Always apply V+ before applying analog signals, especially if the analog signal is not current limited. If this sequencing is not possible, and if the analog inputs are not current limited to <20mA, add a small-signal diode (D1) as shown in Figure 6. Adding a protection diode reduces the analog range to a diode drop (about 0.7V) below V+ (for D1). R_{ON} increases slightly at low supply voltages. Maximum supply volt-

35Ω, Low-Voltage, SPST/SPDT Analog Switches in UCSP Package

age (V+) must not exceed +6V. Protection diode D1 also protects against some overvoltage situations. No damage will result on the circuit in Figure 6 if the supply voltage is below the absolute maximum rating and if a fault voltage up to the absolute maximum rating is applied to an analog signal terminal.

UCSP Applications Information

For the latest application details on UCSP construction, dimensions, tape carrier information, printed circuit board techniques, bump-pad layout, and recommended reflow temperature profile as well as the latest information on reliability testing results, go to Maxim's website at www.maxim-ic.com/ucsp for the Application Note "UCSP—A Wafer-Level Chip-Scale Package".

MAX4696/MAX4697/MAX4698

Test Circuits/Timing Diagrams

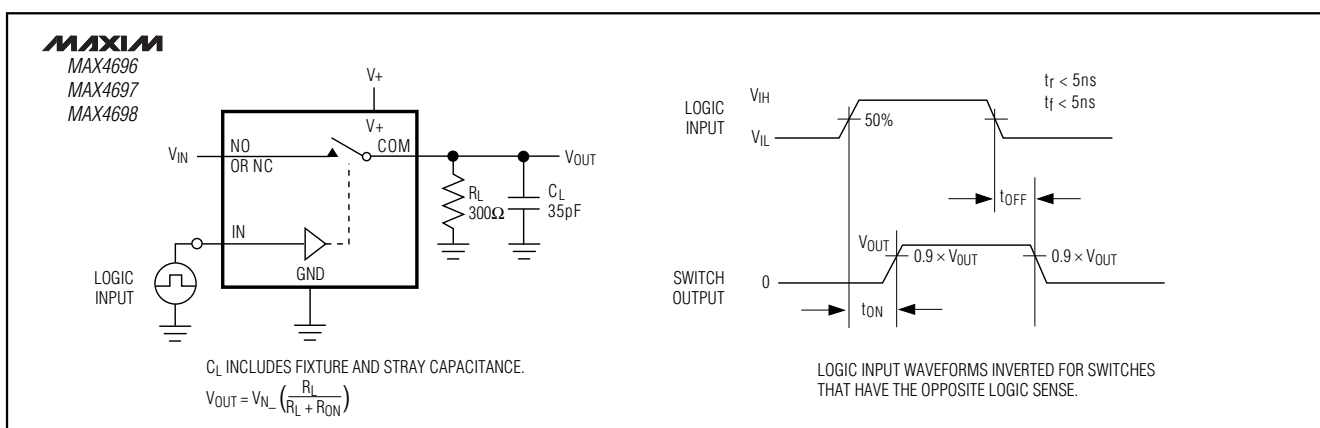


Figure 1. Switching Time

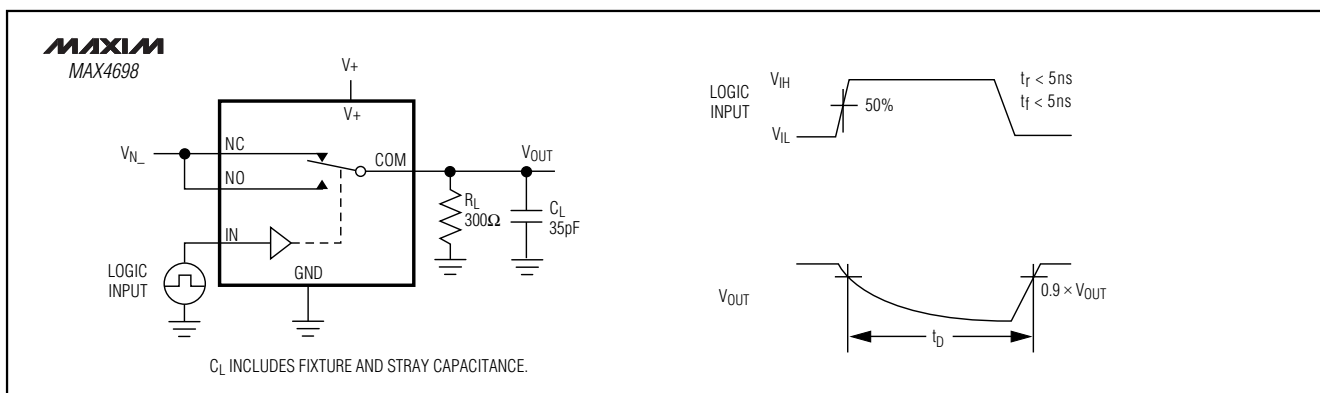


Figure 2. Break-Before-Make Interval (MAX4698 only)

35Ω, Low-Voltage, SPST/SPDT Analog Switches in UCSP Package

Test Circuits/Timing Diagrams (continued)

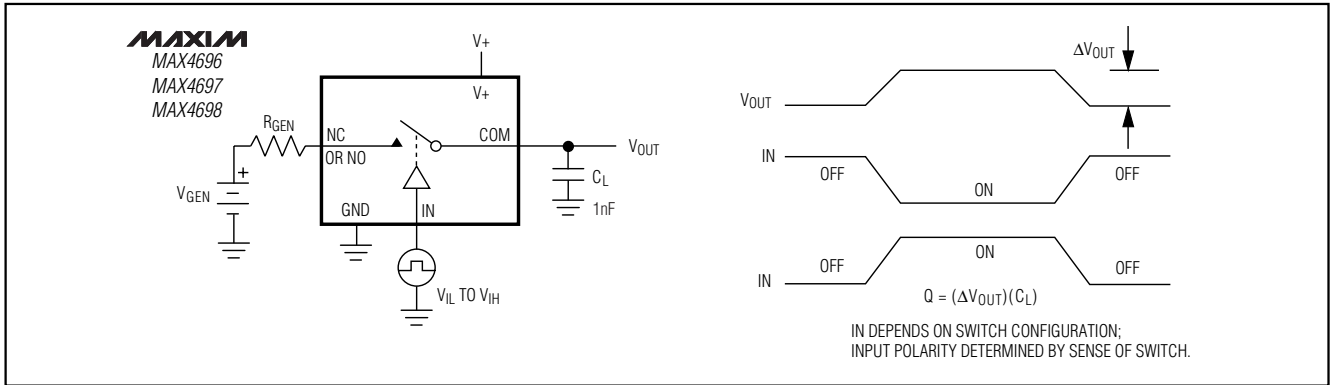


Figure 3. Charge Injection

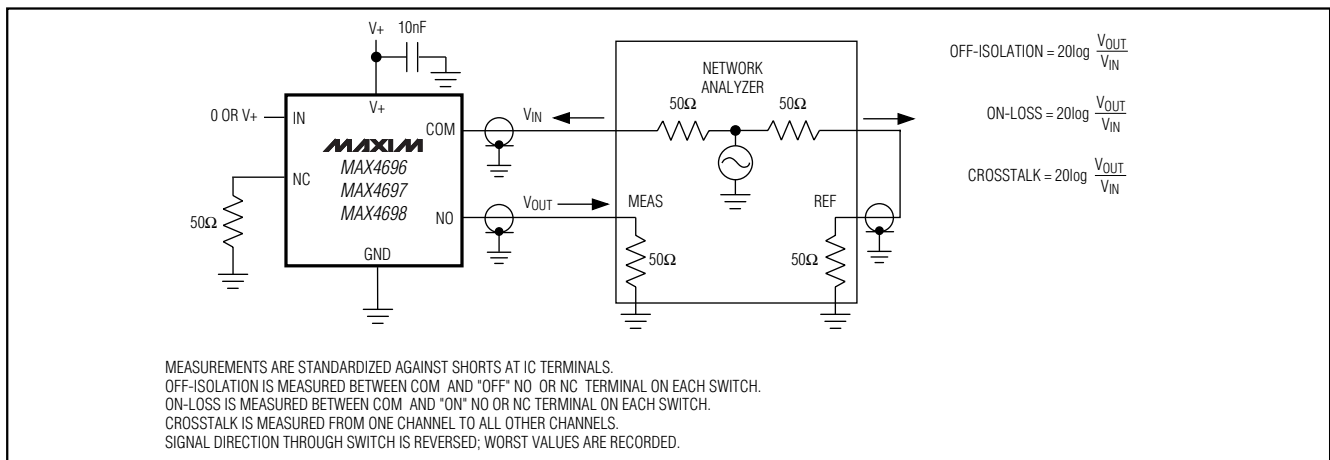


Figure 4. Off-Isolation/On-Channel Bandwidth, Crosstalk

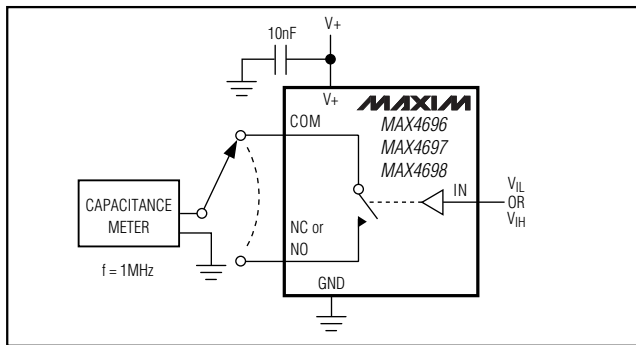


Figure 5. Channel Off/On-Capacitance

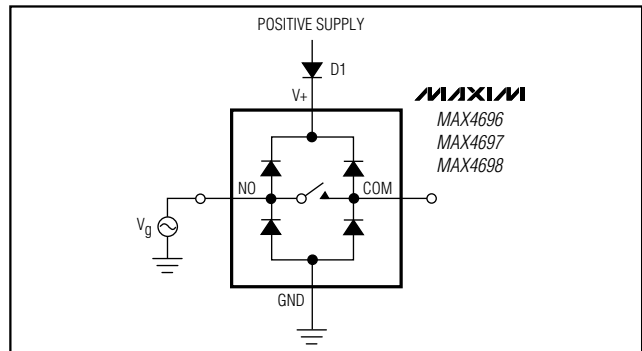


Figure 6. Overtoltage Protection Using External Blocking Diodes

Chip Information

TRANSISTOR COUNT: 50

35Ω, Low-Voltage, SPST/SPDT Analog Switches in UCSP Package

MAX4696/MAX4697/MAX4698

Package Information

(The package drawing(s) in this data sheet may not reflect the most current specifications. For the latest package outline information, go to www.maxim-ic.com/packages.)

TOP VIEW

COMMON DIMENSIONS	
A	0.60±0.05
A1	0.27±0.03
A2	0.33 REF.
b	∅0.37 BASIC
D1	0.50 BASIC
E1	1.00 BASIC
e	0.50 BASIC
SD	0.25 BASIC
SE	0.00 BASIC

PKG. CODE	VARIABLE DIMENSIONS		DEPOPULATED SOLDER BALLS
	D	E	
B6-1	1.00±0.05	1.52±0.05	NONE
B6-2	1.00±0.05	1.52±0.05	B2
B6-3	1.05±0.05	1.57±0.05	NONE
B6-4	1.05±0.05	1.57±0.05	B2
B6-5	0.97±0.05	1.46±0.05	NONE
B6-6	1.16±0.05	1.57±0.05	NONE

NOTES:
 1. ALL DIMENSIONS ARE IN MILLIMETERS.
 2. PRODUCT MARKING: NUMBER OF CHARACTERS AND LINES VARY PER PRODUCT.

BOTTOM VIEW

SIDE VIEW

MAXIM

PROPRIETARY INFORMATION

TITLE:
PACKAGE OUTLINE, 3x2 UCSP

APPROVAL	DOCUMENT CONTROL NO. 21-0097	REV. F 1/1
----------	---------------------------------	---------------

6L, UCSP-EFS

Maxim cannot assume responsibility for use of any circuitry other than circuitry entirely embodied in a Maxim product. No circuit patent licenses are implied. Maxim reserves the right to change the circuitry and specifications without notice at any time.

Maxim Integrated Products, 120 San Gabriel Drive, Sunnyvale, CA 94086 408-737-7600 _____ **9**