

Click [here](#) for production status of specific part numbers.

## MAX16152/MAX16153/ MAX16154/MAX16155

## nanoPower Supervisor and Watchdog Timer

### General Description

The MAX16152/MAX16153/MAX16154/MAX16155 ultra-low-current supervisory circuits monitor a single system supply voltage and the integrity of code execution by a microprocessor or microcontroller. These supervisors assert the reset output whenever the  $V_{CC}$  supply voltage is greater than the minimum operating voltage, but less than the reset threshold. After the supply voltage rises above the reset threshold, the reset output remains asserted for the reset timeout period, and then de-asserts. Reset voltage thresholds are available from 1.50V to 5.0V in approximately 100mV increments.

A watchdog timer circuit monitors microprocessor or microcontroller activity. During normal operation, the microprocessor or microcontroller should repeatedly toggle the watchdog input (WDI) before the supervisor's watchdog timeout period elapses to confirm that the system is executing code properly. If the microprocessor or microcontroller does not provide a valid watchdog input transition before the timeout period expires, the supervisor asserts a watchdog (WDO) output to signal that the system is not executing code as expected. The watchdog output pulse can be used to reset the microprocessor or microcontroller, or it may be used to interrupt the system to warn of execution errors. The MAX16152 and MAX16153 feature a manual reset input ( $\overline{MR}$ ) to allow an external pushbutton or logic signal to initiate a reset pulse. The MAX16154 and MAX16155 feature a logic input (WD\_EN) that allows the system to enable and disable the watchdog function.

The MAX16152 and MAX16154 are offered in a 0.86mm x 1.27mm 6-bump WLP, while the MAX16153 and MAX16155 are offered in 6-pin SOT23 package. All devices operate over the -40°C to +125°C temperature range.

### Applications

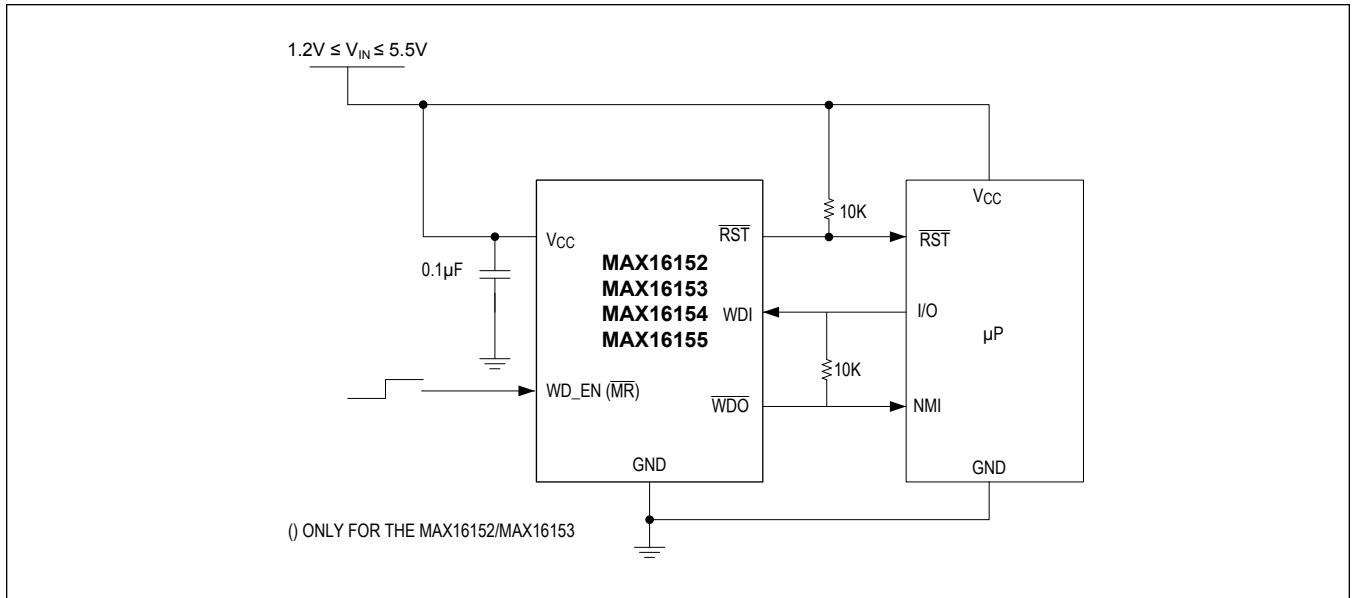
- Portable/Battery-Powered Equipment
- Tablets/e-Readers/Mobile Devices
- Glucose Monitors/Patient Monitor
- Metering

### Benefits and Features

- 400nA (typ) Supply Current
- 1.2V to 5.5V Operating Supply Range
- Monitors Supply Voltage and Provides System Reset Signal
- 1.5V to 5V Input Threshold Range in 100mV Increments
- Watchdog Function Detects Faulty Code Execution
- Open-Drain Reset and Watchdog Outputs
- Watchdog Timer Enable Input
- 6-Bump WLP Package
- 6-Pin SOT23 Package
- -40°C to +125°C Operating Temperature Range

[Ordering Information](#) appears at end of data sheet.

Typical Application Circuit



### Absolute Maximum Ratings

V <sub>CC</sub> to GND.....	-0.3V to +6V	Continuous Power Dissipation (SOT23) (T <sub>A</sub> = +70°C, derate 8.70mW/°C above +70°C) .....	696mW
WDI, WD_EN to GND.....	-0.3V to V <sub>CC</sub> + 0.3V	Operating Temperature Range .....	-40°C to +125°C
WDO, RST to GND.....	-0.3V to +6V	Junction Temperature .....	+150°C
Maximum Current, Any Pin (input/output) .....	20mA		
Continuous Power Dissipation (WLP) (T <sub>A</sub> = +70°C, derate 10.5 mW/°C above +70°C).....	840mW		

Stresses beyond those listed under "Absolute Maximum Ratings" may cause permanent damage to the device. These are stress ratings only, and functional operation of the device at these or any other conditions beyond those indicated in the operational sections of the specifications is not implied. Exposure to absolute maximum rating conditions for extended periods may affect device reliability.

### Package Information

#### 6 SOT23

Package Code	U6+1
Outline Number	<a href="#">21-0058</a>
Land Pattern Number	<a href="#">90-0175</a>
<b>Thermal Resistance, Four-Layer Board:</b>	
Junction-to-Ambient (θ <sub>JA</sub> )	115
Junction-to-Case Thermal Resistance (θ <sub>JC</sub> )	80

#### 6 WLP

Package Code	W60C1+2
Outline Number	<a href="#">21-100258</a>
Land Pattern Number	—
<b>Thermal Resistance, Four-Layer Board:</b>	
Junction-to-Case Thermal Resistance (θ <sub>JC</sub> )	95

For the latest package outline information and land patterns (footprints), go to [www.maximintegrated.com/packages](http://www.maximintegrated.com/packages). Note that a "+", "#", or "-" in the package code indicates RoHS status only. Package drawings may show a different suffix character, but the drawing pertains to the package regardless of RoHS status.

Package thermal resistances were obtained using the method described in JEDEC specification JESD51-7, using a four-layer board. For detailed information on package thermal considerations, refer to [www.maximintegrated.com/thermal-tutorial](http://www.maximintegrated.com/thermal-tutorial).

### Electrical Characteristics

(( $V_{CC} = 1.2V$  to  $5.5V$ ,  $T_A = -40^{\circ}C$  to  $+125^{\circ}C$ . Limits over the operating temperature range and relevant supply voltage range are guaranteed by production test and/or characterization. Typical values are at  $T_A = +25^{\circ}C$  and  $V_{CC} = V_{TH} + 150mV$ .)

PARAMETER	SYMBOL	CONDITIONS	MIN	TYP	MAX	UNITS
Supply Voltage Range			1.2		5.5	V
Supply Current		Outputs not asserted, $V_{CC} = V_{TH} + 150mV$		400	900	nA
$V_{CC}$ Threshold Range			1.5		5	V
$V_{CC}$ Reset Threshold Accuracy	$V_{TH\_AC}$	$V_{CC}$ falling	-2.5		+2.5	%
$V_{CC}$ Reset Threshold Hysteresis		$V_{CC}$ rising		0.4		%
$V_{CC}$ to Reset Delay	$t_{RD}$	$V_{CC}$ falling from ( $V_{TH} + 100mV$ ) to ( $V_{TH} - 100mV$ )		80		$\mu s$
Reset Timeout Period Accuracy	$t_{RP\_AC}$	Note 1	-50		+50	%
<b>WATCHDOG</b>						
Watchdog Timeout Period Accuracy	$t_{WD\_AC}$		-50		+50	%
Watchdog Startup Delay Accuracy	$t_{START-UP\_AC}$		-50		+50	%
Watchdog Setup Time	$t_{SETUP}$	Time between low-to-high transition of $WD\_EN$ and watchdog timer enabled.		300		$\mu s$
Output Voltage Low	$V_{OL}$	$V_{CC} \geq 1.0V$ , $I_{SINK} = 50\mu A$			0.3	V
		$V_{CC} > 2.7V$ , $I_{SINK} = 1.2mA$			0.3	
		$V_{CC} > 4.5V$ , $I_{SINK} = 3.2mA$			0.4	
Watchdog Input Pulse Width	$t_{WDI}$	After $\overline{WDO}$ deasserted	1			$\mu s$
Watchdog Output Pulse Width	$t_{WDO}$		100		300	ms
Input Voltage High	$V_{IH}$		$0.8 \times V_{CC}$			V
Input Logic-Low	$V_{IL}$	$WDI, \overline{MR}, WD\_EN$	$V_{CC} \geq 3.3V$		$0.3 \times V_{CC}$	V
			$V_{CC} \geq 1.5V$		$0.3 \times V_{CC}$	
Watchdog Output Leakage Current		$\overline{WDO} = 0$ to $5.5V$ , output deasserted			1	$\mu A$
Reset Output Leakage Current		$\overline{RST} = 0$ to $5.5V$ , reset output deasserted			1	$\mu A$
$WD\_EN$ Input Glitch Rejection				300		ns
Manual Reset Input Glitch Rejection				200		ns

### Electrical Characteristics (continued)

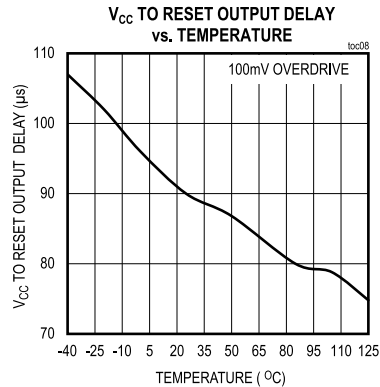
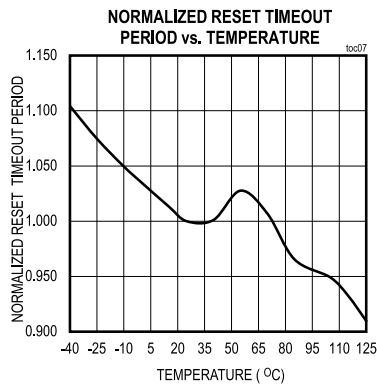
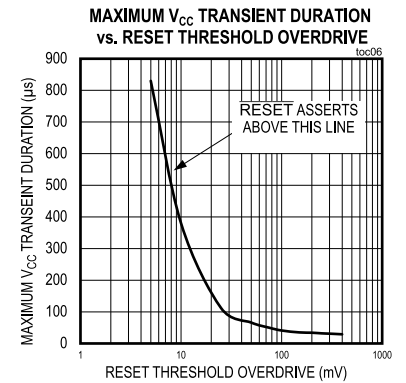
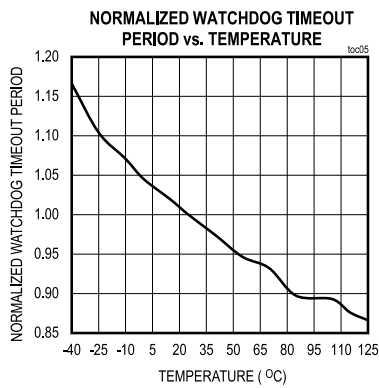
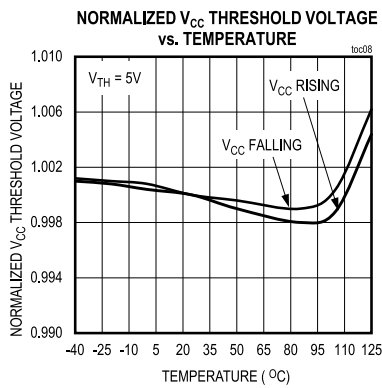
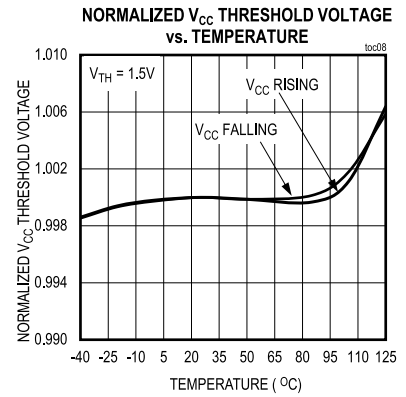
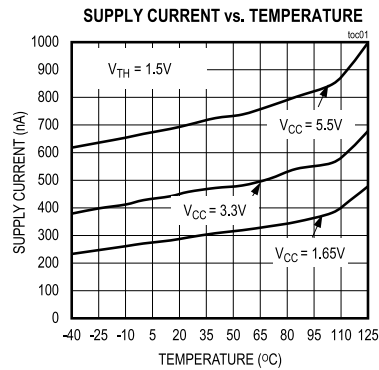
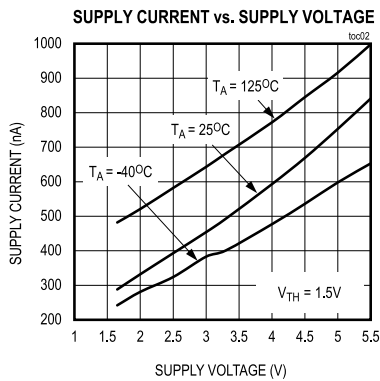
(( $V_{CC} = 1.2V$  to  $5.5V$ ,  $T_A = -40^{\circ}C$  to  $+125^{\circ}C$ . Limits over the operating temperature range and relevant supply voltage range are guaranteed by production test and/or characterization. Typical values are at  $T_A = +25^{\circ}C$  and  $V_{CC} = V_{TH} + 150mV$ .)

PARAMETER	SYMBOL	CONDITIONS	MIN	TYP	MAX	UNITS
Manual Reset Input to Reset Output Delay	$t_{MRD}$			250		ns
Manual Reset Internal Pullup Resistor			70	100	145	$k\Omega$
Input Leakage Current		$\overline{MR}$ , WDI, WD_EN. Input connected GND or $V_{CC}$	-1		+1	$\mu A$

**Note 1:** In addition to the specified tolerance,  $t_{RP}$  has an uncertainty of  $\pm 4ms$  due to the power-up delay of internal blocks.

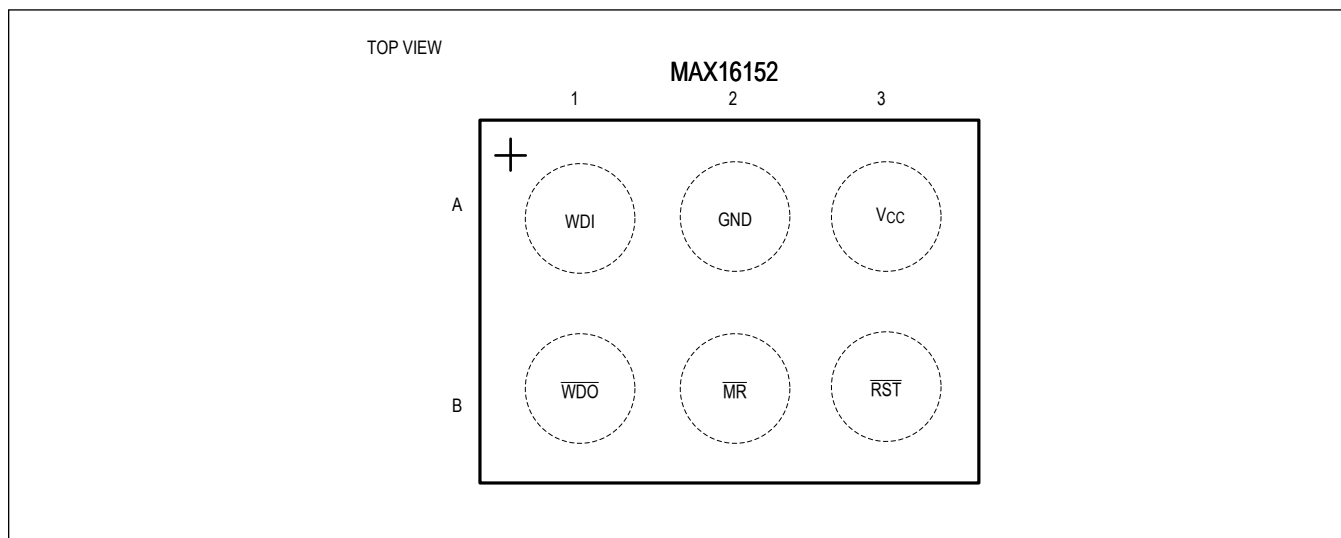
### Typical Operating Characteristics

( $V_{CC} = 1.2V$  TO  $5.5V$ ,  $T_A = -40^{\circ}C$  TO  $125^{\circ}C$ )

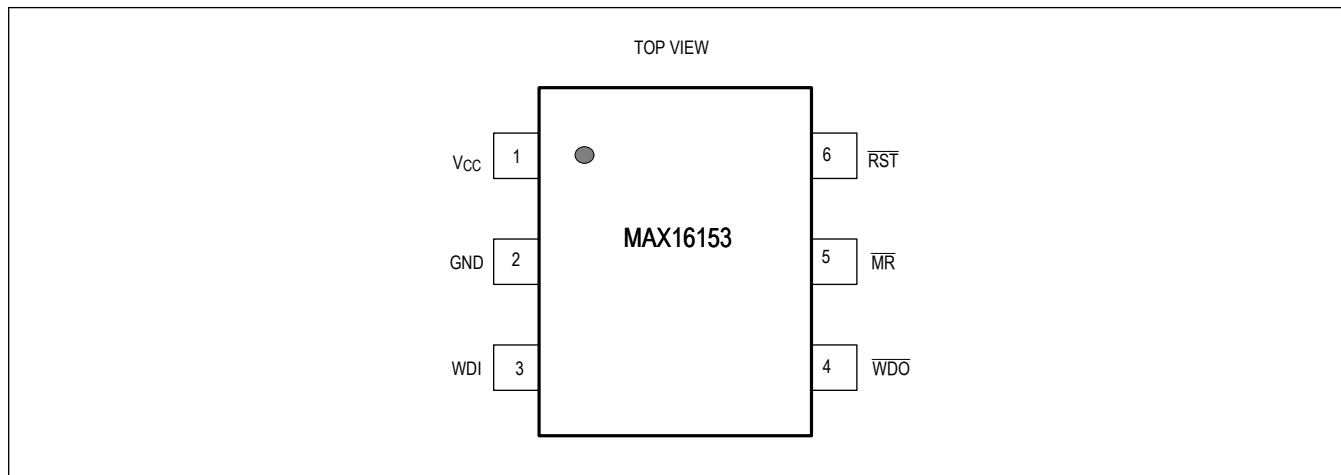


## Pin Configurations

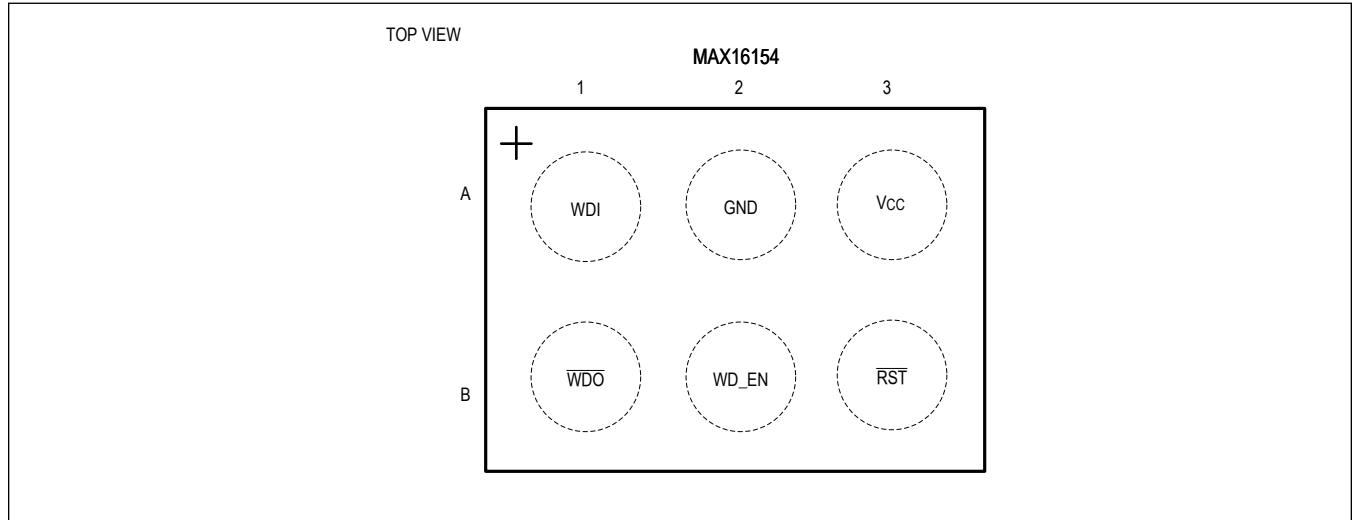
### 6 WLP



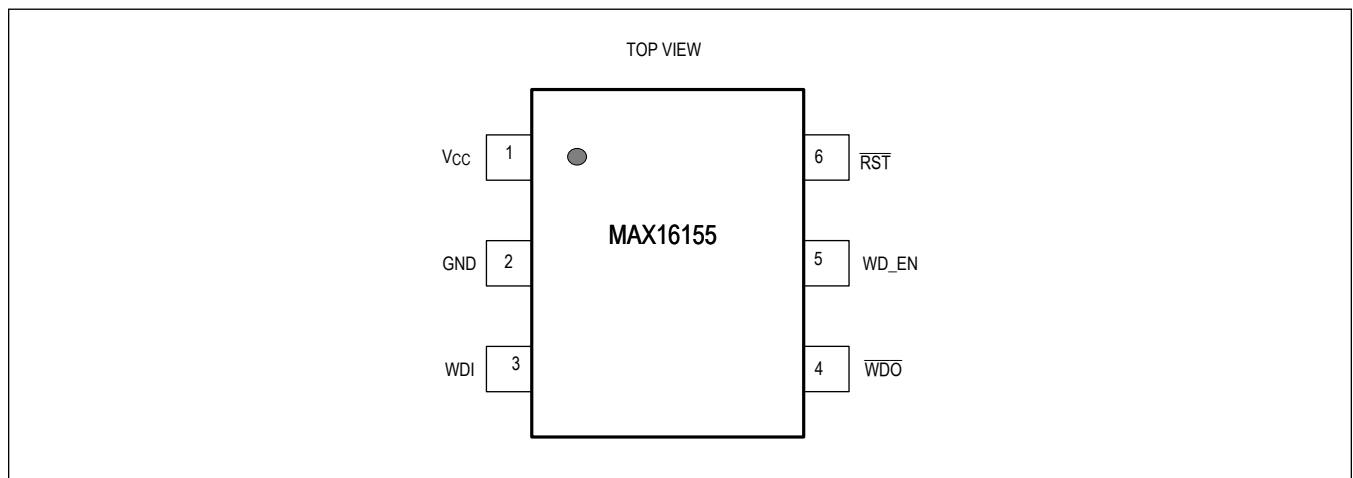
### 6 SOT23



6 WLP



6 SOT23



Pin Description

PIN				NAME	FUNCTION
MAX1615 2	MAX1615 3	MAX1615 4	MAX1615 5		
A3	1	A3	1	V <sub>CC</sub>	Supply Voltage. V <sub>CC</sub> is the power supply input and the monitoring input. Bypass with a 0.1µF capacitor to GND.
A2	2	A2	2	GND	Ground
A1	3	A1	3	WDI	Watchdog Input. If WDI remains either high or low for the duration of the watchdog timeout period (t <sub>WD</sub> ), $\overline{WDO}$ pulses low for the watchdog output pulse width, t <sub>WDO</sub> . The internal watchdog timer clears whenever $\overline{RST}$ is de-asserted or whenever WDI sees a falling edge.

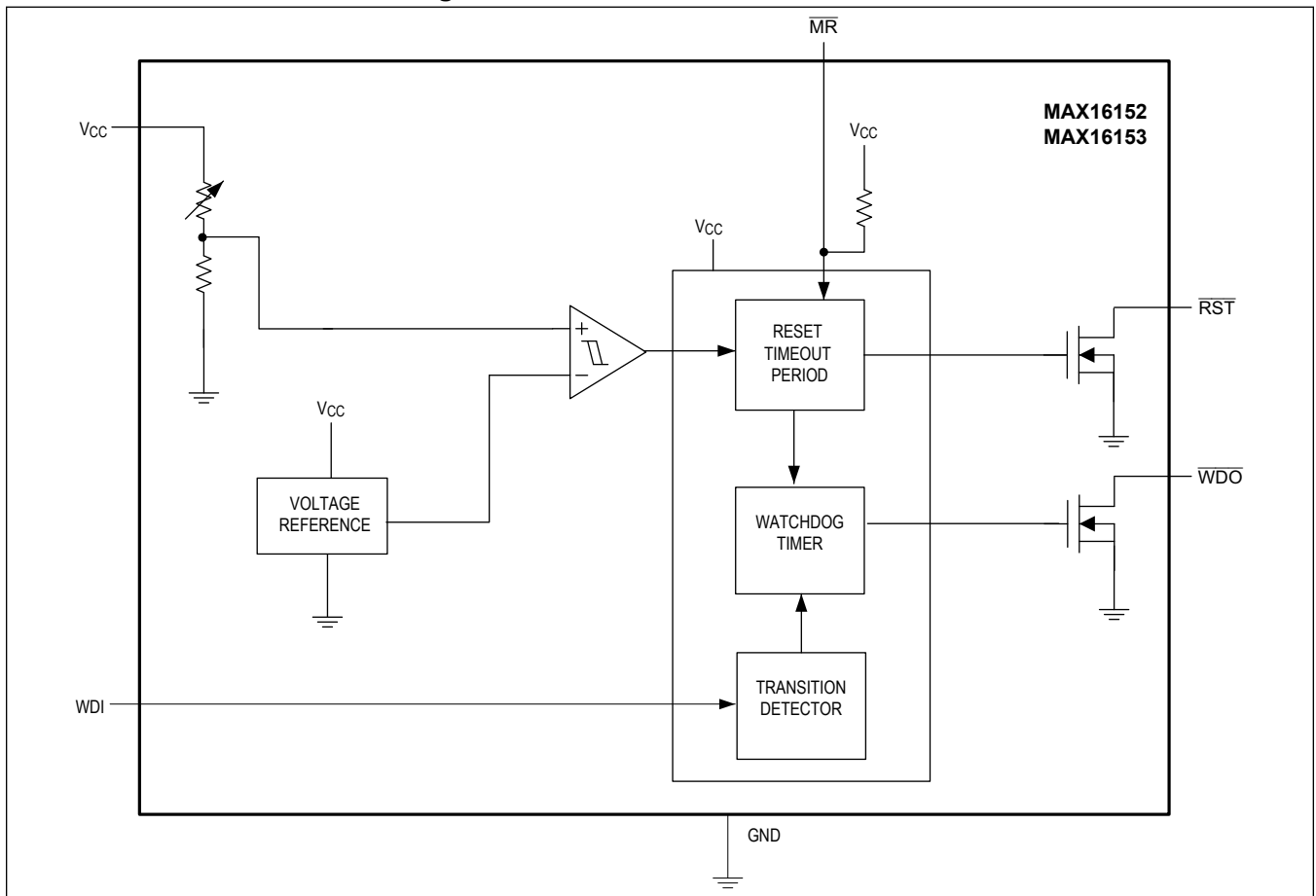


Pin Description (continued)

PIN				NAME	FUNCTION
MAX1615 2	MAX1615 3	MAX1615 4	MAX1615 5		
B1	4	B1	4	$\overline{WDO}$	Watchdog Output. $\overline{WDO}$ pulses low for the watchdog output pulse width, $t_{WDO}$ , when the internal watchdog times out. $\overline{WDO}$ is an open-drain output and requires a pull-up resistor.
B2	5	—	—	$\overline{MR}$	Manual Reset Input. Drive $\overline{MR}$ low to manually reset the device. $\overline{RST}$ remains asserted for the reset timeout period after $\overline{MR}$ is released. $\overline{MR}$ is internally pulled up to $V_{CC}$ with a 100k $\Omega$ resistor.
—	—	B2	5	WD_EN	Watchdog Enable Input. Drive WD_EN high to enable the watchdog timer. Drive WD_EN low to disable the watchdog timer.
B3	6	B3	6	$\overline{RST}$	Reset Output. $\overline{RST}$ asserts when $V_{CC}$ falls below the factory-set threshold. When $V_{CC}$ goes above $V_{TH} + V_{HYS}$ , $\overline{RST}$ remains asserted for the reset timeout period $t_{RP}$ and then de-asserts. $\overline{RST}$ is an open-drain output and requires a pull up resistor.

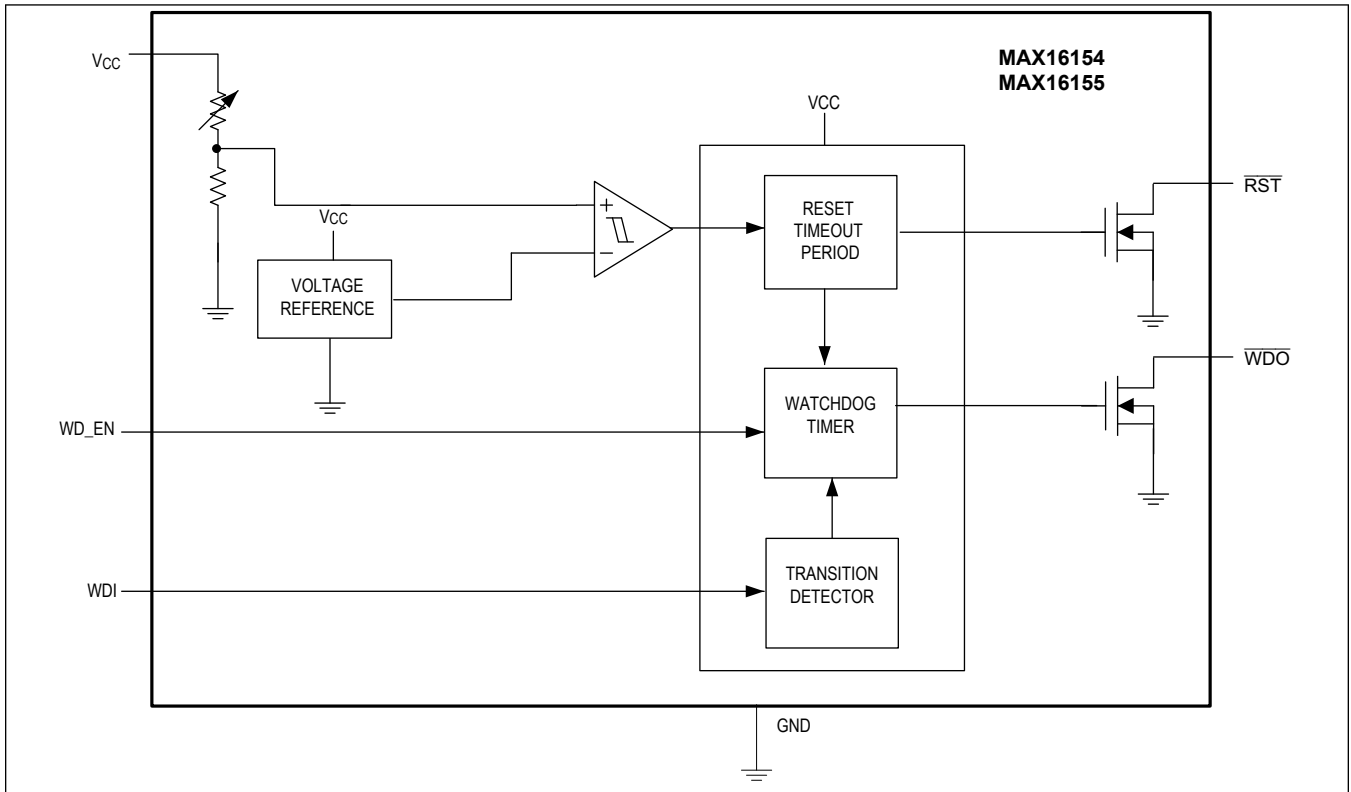
## Functional Diagrams

### MAX16152/MAX16153 Block Diagram



Functional Diagrams (continued)

MAX16154/MAX16155 Block Diagram



## Detailed Description

The MAX16152/MAX16153/MAX16154/MAX16155 are ultra-low-current supervisory circuits that monitor a single system supply voltage and assert an active-low reset signal when the supply voltage drops below the factory-trimmed reset threshold. After the supply voltage rises above the threshold voltage, the reset output remains asserted during the reset timeout period, and finally asserts after the timeout period ends. In addition, a watchdog timer circuit monitors microprocessor or microcontroller activity. During normal operation, the microprocessor or microcontroller toggles the WDI input periodically with a valid logic transition (low to high or high to low). If the  $\overline{\text{WDO}}$  output is toggled within the watchdog timeout period ( $t_{\text{WD}}$ ), the internal timer is cleared and restarted, and the  $\overline{\text{WDO}}$  output remains high. If the input is not strobed before the timeout period expires, the watchdog output is asserted low for a period equal to the watchdog output pulse width ( $t_{\text{WDO}}$ ).

### Input Threshold

The MAX16152/MAX16153/MAX16154/MAX16155 monitor  $V_{\text{CC}}$  with  $\pm 2.5\%$  accuracy across the full temperature and supply voltage ranges. The input threshold is programmable from 1.5V to 5V in approximately 100mV increments. Contact Maxim for thresholds not listed in the [Ordering Information](#) table.

### Watchdog

The MAX16152/MAX16153/MAX16154/MAX16155 offer flexible watchdog circuits for monitoring microprocessor or microcontroller activity. During normal operation, the internal timer is cleared and restarted each time the WDI input undergoes a valid logic transition (high-to-low) within the selected timeout period ( $t_{\text{WD}}$ ). The  $\overline{\text{WDO}}$  remains high as long as the WDI input is strobed within the selected timeout period. If the WDI input is not strobed before the timeout period expires, the watchdog output is asserted low for the watchdog output pulse width ( $t_{\text{WDO}}$ ). The MAX16154 and MAX16155 feature a logic input to enable/disable the watchdog timer during normal operation while the MAX16152 and MAX16153 does not. The watchdog timer for the MAX16152 and MAX16153 can be disabled by leaving the WDI floating.

### Watchdog Startup Delay

All devices feature a factory-set startup delay. The startup delay provides an initial delay for the watchdog timer circuit to power up and initialize before assuming responsibility for normal watchdog input monitoring. For the MAX16152 and MAX16153, monitoring of the WDI input begins after the start-up time is complete. For the MAX16154 and MAX16155, monitoring of the WDI input begins after the start-up delay if  $\text{WD\_EN}$  is pulled high. To ensure that the system generates no undesired watchdog outputs, the routine watchdog input transitions should begin before the minimum startup delay period has expired. The startup delay is activated after the reset output is de-asserted. See the [Selector Guide](#) for available watchdog startup delay options.

### Watchdog Timeout Period

An open-drain, active-low watchdog output ( $\overline{\text{WDO}}$ ) asserts if a valid watchdog input transition is not received before the timeout period elapses. See the [Selector Guide](#) for available watchdog timeout period options.

### Watchdog Enable Input (WD\_EN)

The MAX16154 and MAX16155 feature an active-high logic input ( $\text{WD\_EN}$ ) to enable or disable the watchdog function. Applying a logic-low to  $\text{WD\_EN}$  disables the watchdog function, causing the MAX16154 and MAX16155 to ignore any signals applied to WDI. Applying a logic-high to  $\text{WD\_EN}$  enables the watchdog function after 300 $\mu\text{s}$  (max) of set up time  $t_{\text{SETUP}}$ . See [Figure 1](#), [Figure 2](#), and [Figure 3](#) for more details.

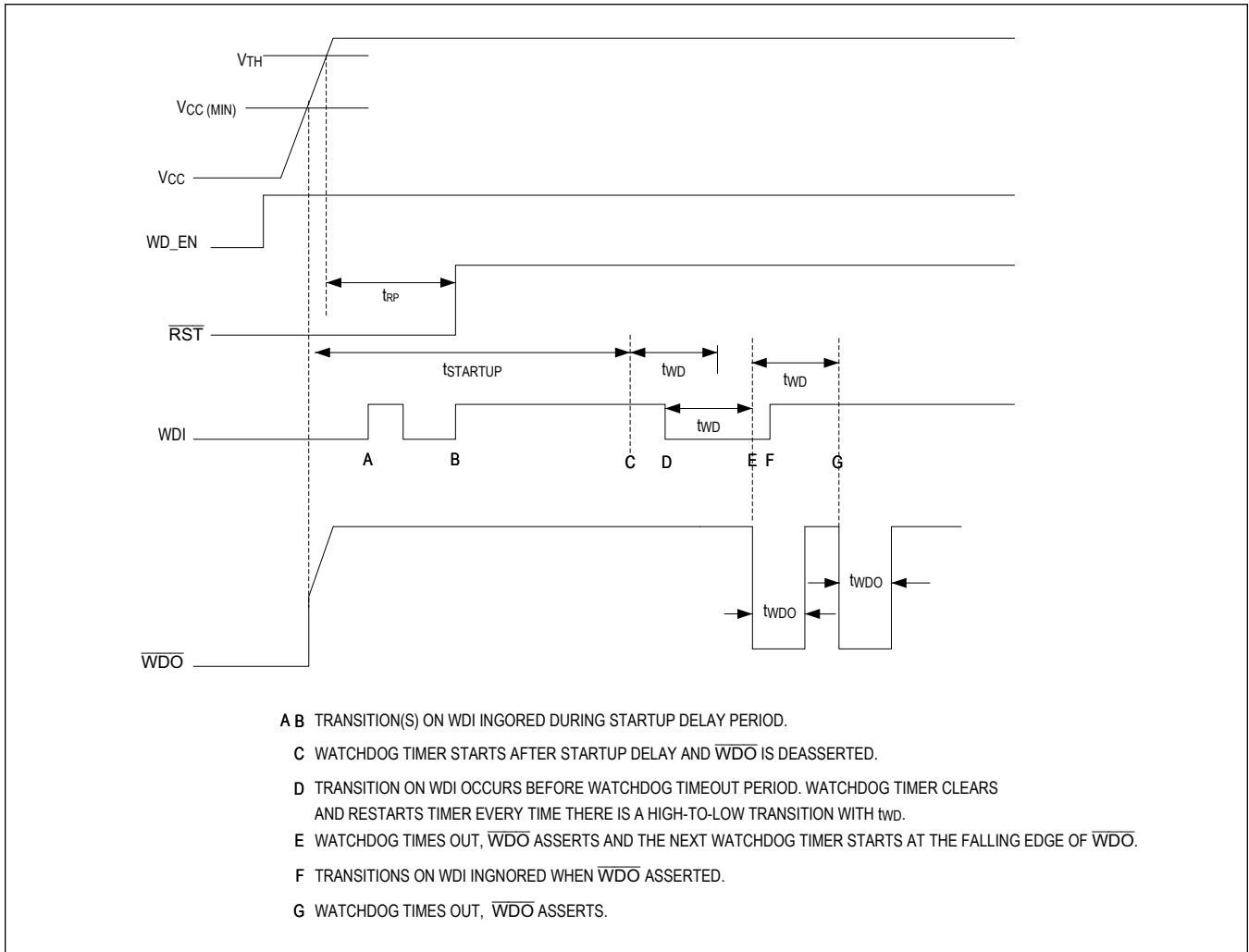


Figure 1. Watchdog Timing Characteristics with WD\_EN Active During Power-Up

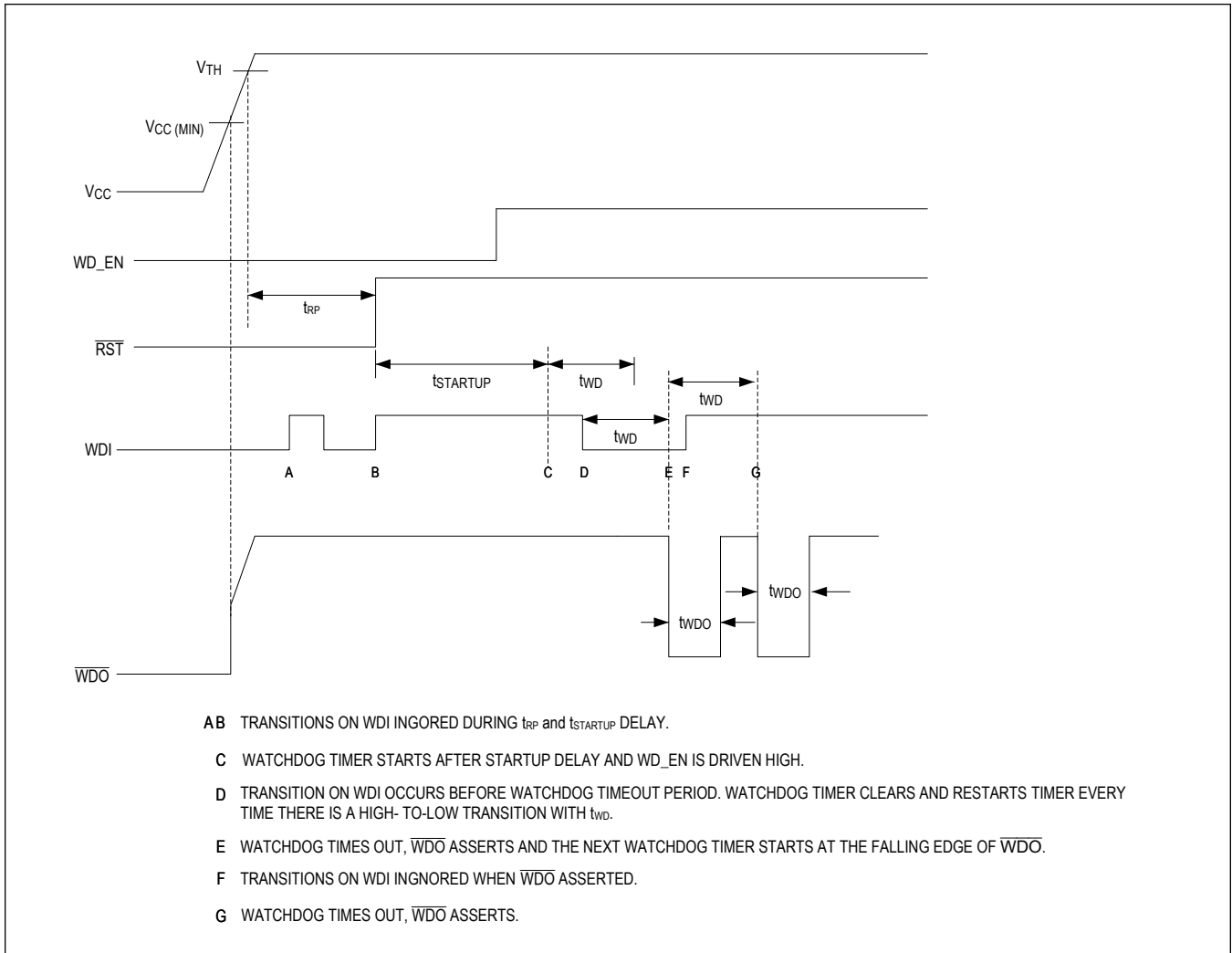


Figure 2. Watchdog Timing Characteristics with  $WD\_EN$  Active During Startup

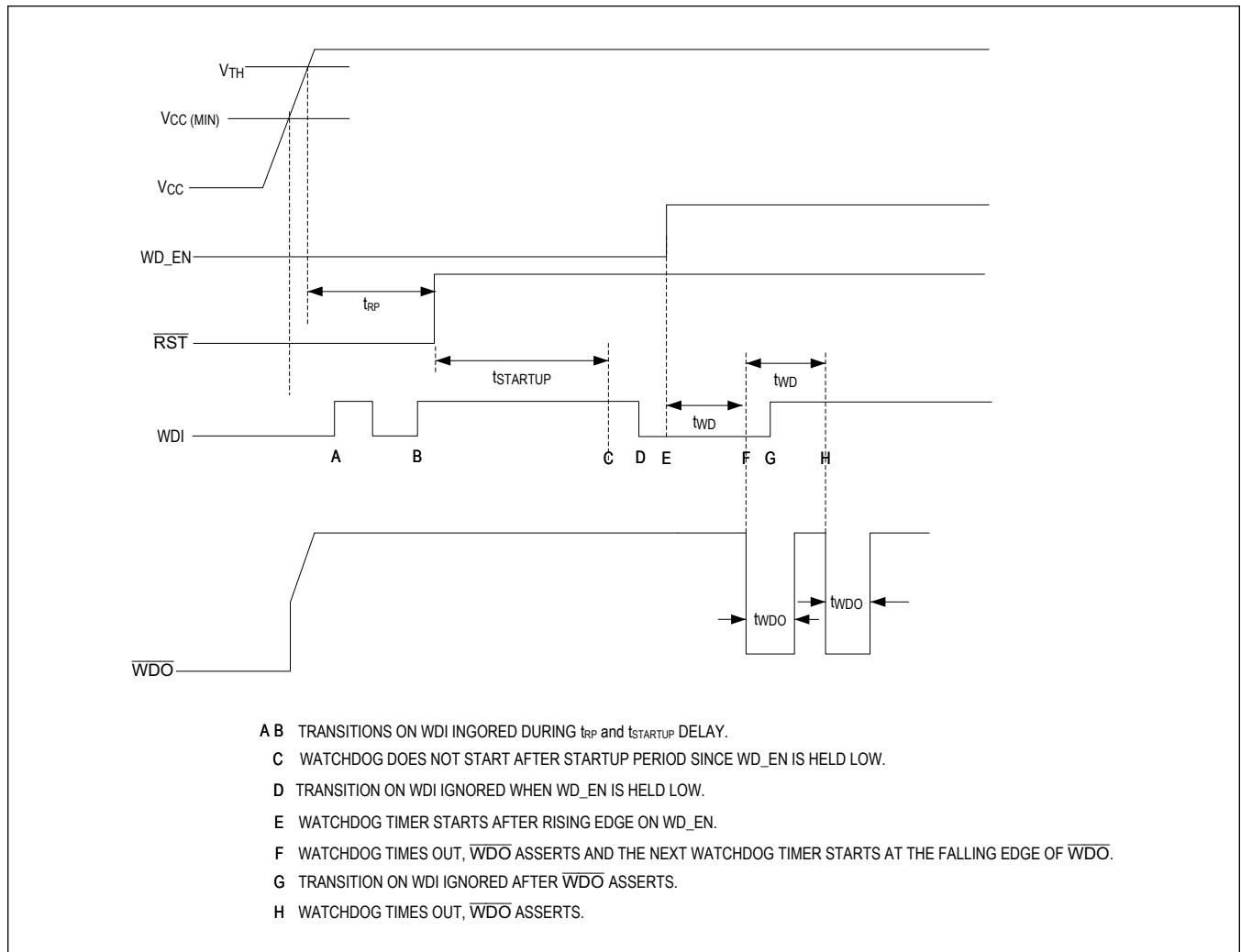


Figure 3. Watchdog Timing Characteristics with WD\_EN Active After Startup Time

### Watchdog Input Signal

Watchdog timing is measured from the last WDI falling edge associated with a pulse of at least 1 $\mu$ s (min) in width. WDI transitions are ignored when  $\overline{WDO}$  and/or  $\overline{RST}$  are asserted, and during the startup delay period. Watchdog input transitions are also ignored for a setup period ( $t_{SETUP}$ ) of up to 300 $\mu$ s after WD\_EN is asserted.

### Reset Timeout Period

The MAX16152/MAX16153/MAX16154/MAX16155 feature an active-low open-drain reset output ( $\overline{\text{RST}}$ ) that asserts low when  $V_{\text{CC}}$  drops below the factory-set threshold voltage,  $V_{\text{TH}}$ . The reset output remains asserted as long as  $V_{\text{CC}}$  remains below the threshold voltage. When  $V_{\text{CC}}$  rises above the threshold voltage plus the required hysteresis, the reset output remains asserted during the reset timeout period, and then de-asserts. See [Figure 4](#) for more details. Contact Maxim for reset timeout period options not listed in the [Ordering Information](#) table.

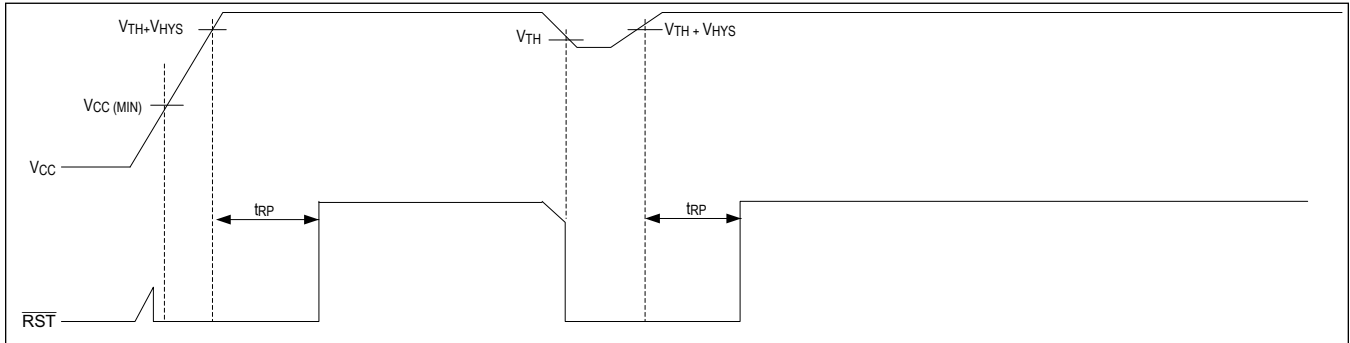


Figure 4. Reset Output Timing Diagram

Note: The reset timeout period does not include additional power up delay specified in the [Electrical Characteristics](#) table.



### Manual Reset

The MAX16152 and the MAX16153 include an active-low manual reset input,  $\overline{\text{MR}}$ . Forcing  $\overline{\text{MR}}$  low asserts the reset output after 250ns (typ) delay period ( $t_{\text{MRD}}$ ). The reset output remains asserted as long as  $\overline{\text{MR}}$  is held low. The reset output de-asserts after the reset timeout period when  $\overline{\text{MR}}$  is released. See Figure 5 below for  $\overline{\text{MR}}$  timing characteristics.  $\overline{\text{MR}}$  has an internal pullup resistor to  $V_{\text{CC}}$  and can be left unconnected if not used.

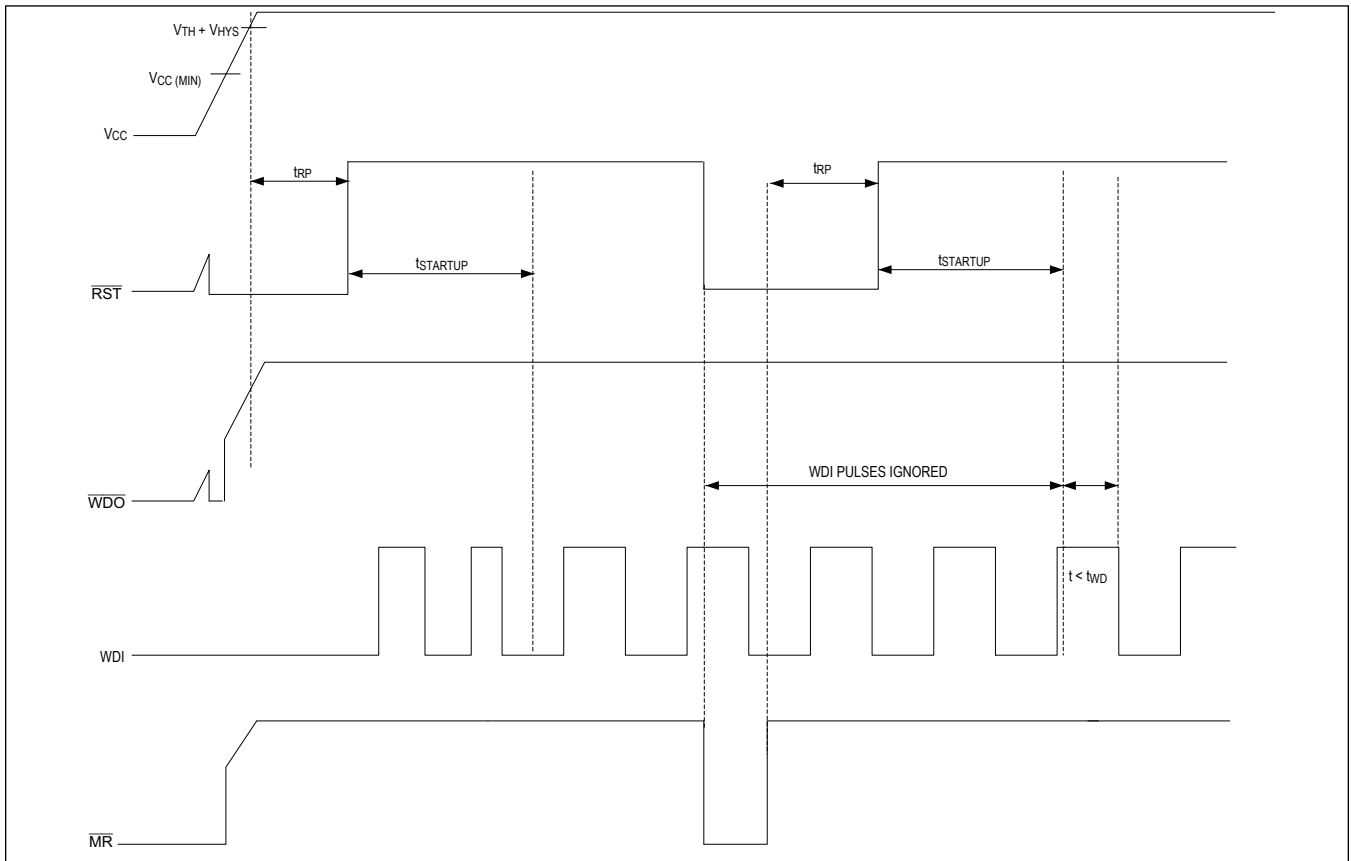


Figure 5. Manual Reset Input Timing Characteristics

## Applications Information

### Power Supply Bypassing

The MAX16152/MAX16153/MAX16154/MAX16155 operate from a 1.20V to 5.5V supply. Bypass  $V_{CC}$  to ground with a 0.1 $\mu$ F capacitor as close to the device as possible to improve transient immunity. For fast-rising  $V_{CC}$  transients, additional capacitance may be required.  $V_{CC}$  rise time  $>50\mu$ s ensures proper operation.

### Watchdog Software Considerations

To help the watchdog timer monitor software execution more closely, set and reset the watchdog input at different points in the program, rather than pulsing the watchdog input high-low-high or low-high-low. This technique avoids a stuck loop, in which the watchdog timer would continue to be reset inside the loop, keeping the watchdog from timing out. [Figure 6](#) shows an example of a flow diagram where the I/O driving the watchdog input is set high at the beginning of the program, set low at the end of every subroutine or loop, then set high again when the program returns to the beginning. If the program should hang in any subroutine, the problem would be quickly corrected, since the I/O is continually set low and the watchdog timer is allowed to time out, causing  $\overline{WDO}$  to pulse.

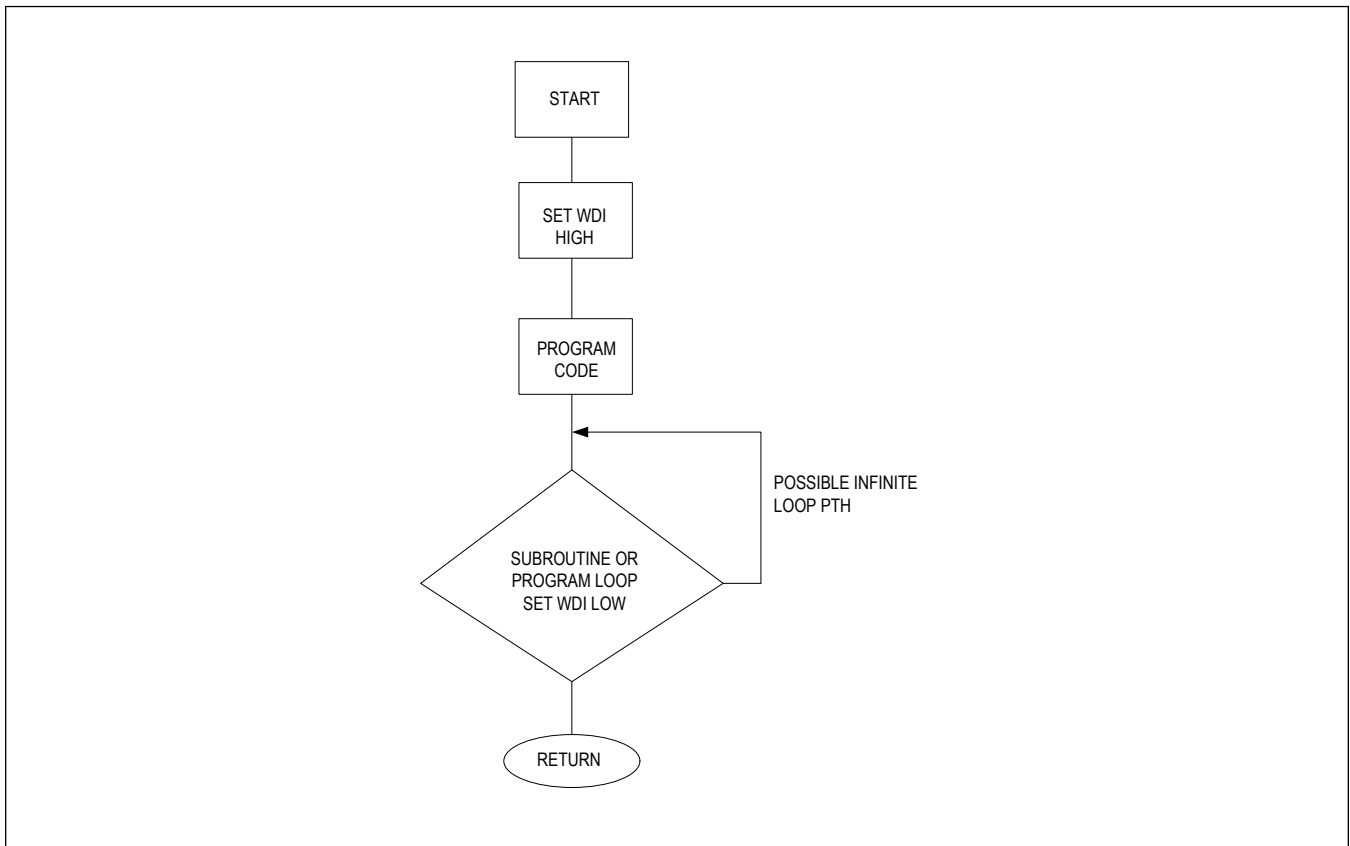
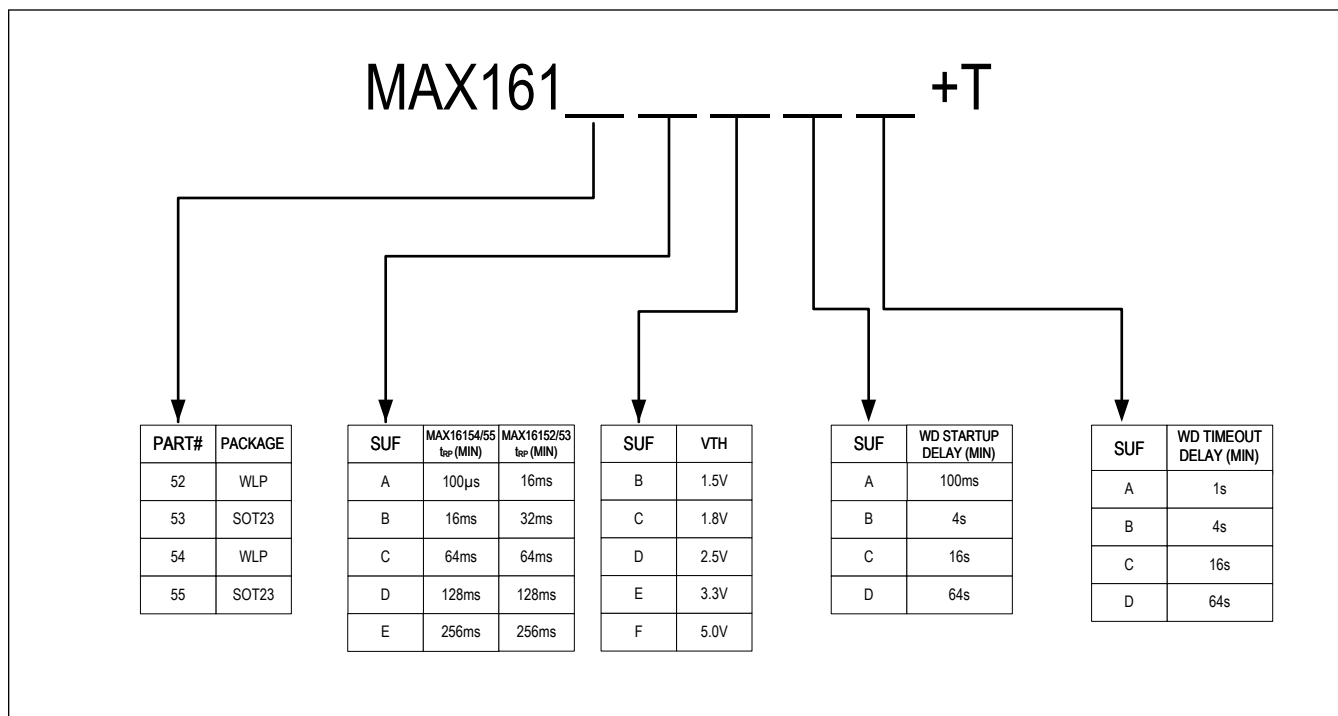


Figure 6. Watchdog Flow Diagram

### Negative-Going V<sub>CC</sub> Transients Protection

The MAX16152/MAX16153/MAX16154/MAX16155 are relatively immune to short-duration negative-going V<sub>CC</sub> transients (glitches). It is usually undesirable to reset the system when V<sub>CC</sub> experiences only small glitches. The *Typical Operating Characteristics* show *Maximum Transient Duration vs. Reset Threshold Overdrive*, for which reset pulses are not generated. The graph was produced using negative-going V<sub>CC</sub> pulses, starting above V<sub>TH</sub> and ending below the reset threshold by the magnitude indicated (reset threshold overdrive). The graph shows the maximum pulse width that a negative-going V<sub>CC</sub> transient may typically have without causing a reset pulse to be issued. As the amplitude of the transient increases (i.e., goes farther below the reset threshold), the maximum allowable pulse width decreases. A 0.1µF bypass capacitor mounted close to the V<sub>CC</sub> pin provides additional transient immunity.

### Selector Guide



### Ordering Information

PART NUMBER	TEMPERATURE RANGE	PIN-PACKAGE
MAX16152ABAD+T	-40°C to +125°C	6 WLP
MAX16153____+T*	-40°C to +125°C	6 SOT23
MAX16154____+T*	-40°C to +125°C	6 WLP
MAX16155ABAD+T	-40°C to +125°C	6 SOT23

Note: See the Selector Guide for reset timeout period, threshold voltage, watchdog start up delay, and watchdog timeout options. For additional options and future products, please visit [www.maximintegrated.com](http://www.maximintegrated.com).

+ Denotes a lead(Pb)-free/RoHS-compliant package.

T = Tape-and-reel.

\*Future product—Contact factory for availability.

## Revision History

REVISION NUMBER	REVISION DATE	DESCRIPTION	PAGES CHANGED
0	4/19	Initial release	—
1	4/19	Updated <i>Package Information</i> section	3
2	8/19	Updated <i>Typical Application Circuit</i> , <i>Electrical Characteristics</i> table, <i>Pin Configuration</i> diagrams, <i>Pin Description</i> table, Figures 1–3, <i>Selector Guide</i> , and <i>Ordering Information</i> table	2, 4, 5, 7–9, 13–15, 19

For pricing, delivery, and ordering information, please visit Maxim Integrated's online storefront at <https://www.maximintegrated.com/en/storefront/storefront.html>.

*Maxim Integrated cannot assume responsibility for use of any circuitry other than circuitry entirely embodied in a Maxim Integrated product. No circuit patent licenses are implied. Maxim Integrated reserves the right to change the circuitry and specifications without notice at any time. The parametric values (min and max limits) shown in the Electrical Characteristics table are guaranteed. Other parametric values quoted in this data sheet are provided for guidance.*