

## DS1925

# iButton High-Capacity Temperature Logger with 122KB Data-Log Memory

## General Description

The iButton<sup>®</sup> temperature logger (DS1925) is a rugged, self-sufficient system that measures temperature and records the result in a protected memory section. The recording is done at a user-defined rate. A total of 122K 8-bit readings or 61K 16-bit readings taken at equidistant intervals ranging from 5min to 273hrs can be stored. In addition, there are 512 bytes of nonvolatile memory for storing application-specific information. A mission to collect data can be programmed to begin immediately, after a user-defined delay, or after a temperature alarm. Access to the memory and control functions can be password protected. The DS1925 is configured and communicates with a host computing device through the serial 1-Wire<sup>®</sup> protocol, which requires only a single data lead and a ground return. Every DS1925 is factory-lasered with a guaranteed unique 64-bit registration number that allows for absolute traceability. The durable stainless-steel package is highly resistant to environmental hazards such as dirt, moisture, and shock. Accessories permit the DS1925 to be mounted on almost any object, including containers, pallets, and bags.

## Applications

- Temperature Logging in Cold Chain
- Food Safety
- Bio Science
- Pharmaceutical and Medical Products High-Temperature Logging (Process Monitoring, Industrial Monitoring)

## Examples of Accessories

| PART         | ACCESSORY               |
|--------------|-------------------------|
| DS9093RA     | Mounting Lock Ring      |
| DS9093A      | Snap-in FOB             |
| DS9092       | iButton Probe           |
| DS1402D-DR8+ | Blue Dot Receptor Cable |

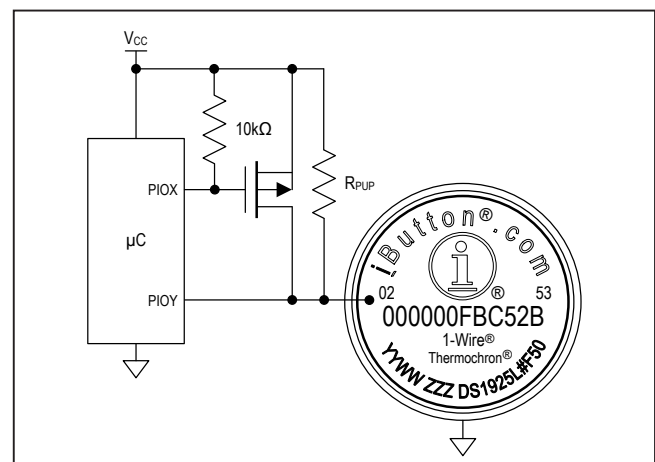
*iButton and 1-Wire are registered trademarks of Maxim Integrated Products, Inc.*

## Benefits and Features

- Provides High-Quality Temperature Exposure Assessment of an End Product
  - Temperature Measurement Accuracy of  $\pm 0.5^{\circ}\text{C}$  with Storage for Up to 125,440 Timestamped Values
  - Flexibility to Monitor and Data-Log Long Duration Exposures with Short-Duration Time Intervals
  - Unique Factory-Lasered 64-Bit Serial Number Ensures Absolute Traceability Because No Two Parts Are Alike
- Highly Configurable Options for Data Logging and Security
  - Programmable Sample Rates from 5min to 273hrs
  - Programmable Recording Start Delay After Elapsed Time or Upon a Temperature Alarm Trip Point
  - Two-Level Password Protection of All Memory and Configuration Registers
  - Measure and Report Internal Battery Level and Output-Logged Data if a Battery is Depleted
- Physically Robust, Operationally Efficient
  - Durable Stainless-Steel Enclosure Withstands Harsh Environments and Conditions
  - Communicates to a Host System with the Single-Contact 1-Wire Interface
  - $-40^{\circ}\text{C}$  to  $+85^{\circ}\text{C}$  Operating Temperature Range

**Ordering Information** appears at end of data sheet.

## Typical Application Circuit



## Absolute Maximum Ratings

|                                  |                |                                 |                 |
|----------------------------------|----------------|---------------------------------|-----------------|
| IO Voltage to GND .....          | -0.3V to +6V   | Junction Temperature .....      | +150°C          |
| IO Sink Current.....             | 20mA           | Storage Temperature Range ..... | -40°C to +85°C* |
| Operating Temperature Range..... | -40°C to +85°C |                                 |                 |

\*Storage or operation above +50°C significantly reduces battery life.

Stresses beyond those listed under "Absolute Maximum Ratings" may cause permanent damage to the device. These are stress ratings only, and functional operation of the device at these or any other conditions beyond those indicated in the operational sections of the specifications is not implied. Exposure to absolute maximum rating conditions for extended periods may affect device reliability.

## Electrical Characteristics

( $V_{PUP}$  = 3.0V to 5.25V, unless otherwise noted.)

| PARAMETER  | SYMBOL     | CONDITIONS   | MIN | TYP              | MAX  | UNITS    |
|--|------------|--|-----|------------------|------|----------|
| Operating Temperature                              | $T_A$      | (Note 1)   | -40 |                  | +85  | °C       |
| <b>IO PIN: GENERAL DATA</b>                        |            |  |     |                  |      |          |
| 1-Wire Pullup Resistance                           | $R_{PUP}$  | (Notes 2, 3)   |     |                  | 2200 | $\Omega$ |
| Input Capacitance                                  | $C_{IO}$   | (Note 4)   |     | 120              |      | nF       |
| Input Leakage Current                              | $I_L$      | IO pin at $V_{PUP}$  |     | 6                | 60   | $\mu$ A  |
| High-to-Low Switching Threshold                    | $V_{TL}$   | (Notes 5, 6)   |     | 0.5 x $V_{PUP}$  |      | V        |
| Input Low Voltage                                  | $V_{IL}$   | (Notes 2, 7)   |     |                  | 0.4  | V        |
| Low-to-High Switching Threshold                    | $V_{TH}$   | (Notes 5, 8)   |     | 0.75 x $V_{PUP}$ |      | V        |
| Switching Hysteresis                               | $V_{HY}$   | (Note 9)   |     | 0.2 x $V_{PUP}$  |      | V        |
| Output Low Voltage                                 | $V_{OL}$   | At 4mA (Note 10)   |     |                  | 0.4  | V        |
| Recovery Time (Note 2)                             | $t_{REC}$  | Standard speed, $R_{PUP} = 2200\Omega$                                 | 5   |                  |      | $\mu$ s  |
|  |            | Overdrive speed, $R_{PUP} = 2200\Omega$                                | 2   |                  |      |          |
|  |            | Overdrive speed, directly prior to reset pulse; $R_{PUP} = 2200\Omega$ | 5   |                  |      |          |
| Time Slot Duration (Note 2)                        | $t_{SLOT}$ | Standard speed   | 65  |                  |      | $\mu$ s  |
|  |            | Overdrive speed  | 8   |                  |      |          |
| Rising-Edge Hold-Off Time                          | $t_{REH}$  | (Note 11)  |     | 0.1              |      | $\mu$ s  |
| <b>IO PIN: 1-Wire RESET, PRESENSE-DETECT CYCLE</b> |            |  |     |                  |      |          |
| Reset Low Time (Note 2)                            | $t_{RSTL}$ | Standard speed, $V_{PUP}$  | 480 |                  | 640  | $\mu$ s  |
|  |            | Overdrive speed  | 48  |                  | 80   |          |
| Presence-Detect Sample Time (Note 2)               | $t_{MSP}$  | Standard speed   | 65  |                  | 75   | $\mu$ s  |
|  |            | Overdrive speed  | 8   |                  | 10   |          |

**Electrical Characteristics (continued)**(V<sub>PUP</sub> = 3.0V to 5.25V, unless otherwise noted.)

| PARAMETER                                  | SYMBOL            | CONDITIONS                | MIN                 | TYP | MAX    | UNITS     |
|--|-------------------|---------------------------|---------------------|-----|--------|-----------|
| <b>IO PIN: 1-Wire WRITE</b>                |                   |                           |                     |     |        |           |
| Write-Zero Low Time<br>(Note 2)            | t <sub>W0L</sub>  | Standard speed            | 60                  |     | 120    | μs        |
|  |                   | Overdrive speed           | 6                   |     | 16     |           |
| Write-One Low Time (Notes<br>2, 12)        | t <sub>W1L</sub>  | Standard speed            | 5                   |     | 15 - ε | μs        |
|  |                   | Overdrive speed           | 0.25                |     | 2 - ε  |           |
| <b>IO PIN: 1-Wire READ</b>                 |                   |                           |                     |     |        |           |
| Read Low Time<br>(Notes 2, 13)             | t <sub>RL</sub>   | Standard speed            | 5                   |     | 15 - δ | μs        |
|  |                   | Overdrive speed           | 0.25                |     | 2 - δ  |           |
| Read Sample Time<br>(Notes 2, 13)          | t <sub>MSR</sub>  | Standard speed            | t <sub>RL</sub> + δ |     | 15     | μs        |
|  |                   | Overdrive speed           | t <sub>RL</sub> + δ |     | 2      |           |
| <b>REAL-TIME CLOCK</b>                     |                   |                           |                     |     |        |           |
| Accuracy                                   | t <sub>ACC</sub>  | +25°C                     |                     | 1   |        | Min/Month |
| Frequency Deviation                        | Δ <sub>F</sub>    | -40°C to +85°C            | -300                |     | +60    | PPM       |
| <b>TEMPERATURE CONVERTER</b>               |                   |                           |                     |     |        |           |
| Conversion Time                            | t <sub>CONV</sub> |                           |                     | 10  |        | ms        |
| Thermal Response Time<br>Constant          | τ <sub>RESP</sub> | iButton package (Note 14) |                     | 130 |        | s         |
| Conv. Error                                | Δ <sub>g</sub>    | (Note 15)                 | -0.5                |     | +0.5   | °C        |
| <b>COMMAND DELAYS AND CURRENT</b>          |                   |                           |                     |     |        |           |
| Standard Delay                             | t <sub>STD</sub>  |                           |                     |     | 5      | ms        |
| Long Standard Delay                        | t <sub>LSTD</sub> |                           |                     |     | 15     | ms        |
| XPC Clear Memory (Log)                     | t <sub>CML</sub>  |                           |                     |     | 1500   | ms        |
| RTC Start Delay from<br>Clear Memory State | t <sub>SRTC</sub> |                           |                     |     | 500    | ms        |
| XPC Active Current                         | I <sub>XPCA</sub> |                           |                     | 5   |        | mA        |

**Note 1:** Limits are 100% tested at T<sub>A</sub> = +85°C (and/or T<sub>A</sub> = +25°C). Limits over the operating temperature and relevant supply voltage range are guaranteed by design and characterization.

**Note 2:** System requirement.

**Note 3:** Maximum allowable pullup resistance is a function of the number of 1-Wire devices in the system and 1-Wire recovery times. The specified value here applies to systems with only one device and with the minimum 1-Wire recovery times. For more heavily loaded systems, an active pullup such as that found in the DS2480B may be required.

**Note 4:** Typical value represents the internal parasite capacitance when V<sub>PUP</sub> is first applied. Once the parasite capacitance is charged, it does not affect normal communication.

**Note 5:** V<sub>TL</sub>, V<sub>TH</sub> are a function of the internal supply voltage.

**Note 6:** Voltage below which, during a falling edge on IO, a logic 0 is detected.

**Note 7:** The voltage on IO must be less than or equal to V<sub>ILMAX</sub> whenever the master drives the line low.

**Note 8:** Voltage above which, during a rising edge on IO, a logic 1 is detected.

**Note 9:** After V<sub>TH</sub> is crossed during a rising edge on IO, the voltage on IO must drop by V<sub>HY</sub> to be detected as logic 0.

## Electrical Characteristics (continued)

( $V_{PUP} = 3.0V$  to  $5.25V$ , unless otherwise noted.)

**Note 10:** The I-V characteristic is linear for voltages less than 1V.

**Note 11:** The earliest recognition of a negative edge is possible at  $t_{REH}$  after  $V_{TH}$  has been previously reached.

**Note 12:**  $\epsilon$  in [Figure 13](#) represents the time required for the pullup circuitry to pull the voltage on IO up from  $V_{IL}$  to  $V_{TH}$ .

**Note 13:**  $\delta$  in [Figure 13](#) represents the time required for the pullup circuitry to pull the voltage on IO up from  $V_{IL}$  to the input-high threshold of the bus master.

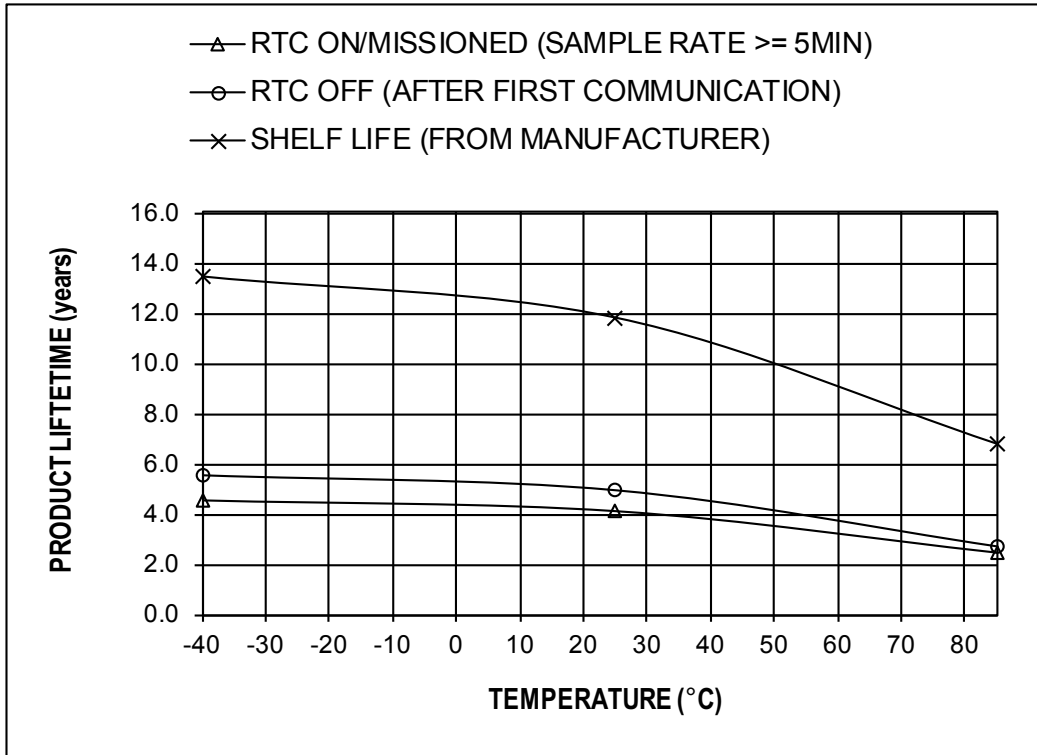
**Note 14:** This number was derived from a test conducted by Cemagref Antony, France, in July 2000 (Cemagref Test Report No. E42).

**Note 15:** Maxim data-logger products are 100% tested and calibrated at time of manufacture to ensure that they meet all data sheet parameters, including temperature accuracy. As with any sensor-based product, user shall be responsible for occasionally rechecking the temperature accuracy of the product to ensure it is still operating properly. Furthermore, as with all products of this type, when deployed in the field and subjected to handling, harsh environments, or other hazards/use conditions, there may be some extremely small but nonzero logger failure rate. In applications where the failure of any logger is a concern, user shall assure that redundant (or other primary) methods of testing and determining the handling methods, quality, and fitness of the articles and products are implemented to further mitigate any risk.

## iButton Can Physical Specification

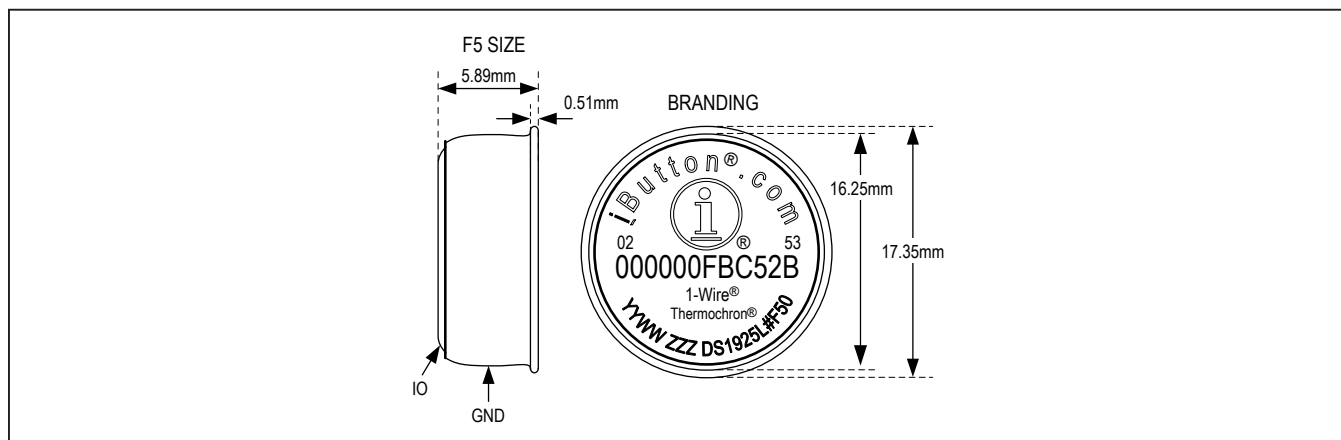
|               |   |
|---------------|---|
| <b>SIZE</b>   | See the <i>Package Information</i> section. |
| <b>WEIGHT</b> | Ca. 3.3 grams                               |

Typical Product Lifetime\*



\*NOT CONNECTED TO 1-WIRE. TYPICAL LIFETIME WITH 1-WIRE IDLE HIGH IS 0.5YR. DISCONNECT 1-WIRE DURING MISSIONS.

## Pin Configuration



## Pin Description

| NAME | FUNCTION     |
|------|--------------|
| IO   | Input/Output |
| GND  | Ground       |

## Detailed Description

The DS1925 is an ideal device to monitor for extended time periods the temperature of any object it is attached to or shipped with, such as fresh produce, medical drugs, and supplies, and for use in refrigerators and freezers. Note that the initial sealing level of the DS1925 achieves IP56. Aging and use conditions can degrade the integrity of the seal over time, so for applications with significant exposure to liquids, sprays, or other similar environments, it is recommended to place the DS1925 in the DS9107 iButton capsule. The DS9107 provides a watertight enclosure that has been rated to IP68 (refer to [Application Note 4126: Understanding the IP \(Ingress Protection\) Ratings of iButton Data Loggers and Capsule](#)). Software for setup and data retrieval through the 1-Wire interface is available for free download from the Maxim website at [www.maximintegrated.com/1-wiredrivers](http://www.maximintegrated.com/1-wiredrivers). This software also includes drivers for the serial and USB port of a PC, and routines to access the general-purpose memory for storing application- or equipment-specific data files.

### Overview

[Figure 1](#) shows the relationships between the DS1925's major control and memory sections. The device has five main data components: 1) 64-bit lasered ROM, 2) 256-bit scratchpad, 3) 512-byte general-purpose memory, 4) two

256-bit register pages of timekeeping, control, status, and counter registers and passwords, and 5) 122KB of data-logging memory. Except for the ROM and the scratchpad, all other memory is arranged in a single linear address space. The data-logging memory, counter registers, and several other registers are read-only for the user. Both register pages are write-protected while the device is programmed for a mission. The password registers, one for a read password and another one for a read/write password, can only be written, never read.

[Figure 2](#) shows the hierarchical structure of the 1-Wire protocol. The bus master must first provide one of the eight ROM function commands: 1) Read ROM, 2) Match ROM, 3) Search ROM, 4) Conditional Search ROM, 5) Skip ROM, 6) Overdrive-Skip ROM, 7) Overdrive-Match ROM, or 8) Resume. Upon completion of an Overdrive ROM command byte executed at standard speed, the device enters overdrive mode, where all subsequent communication occurs at a higher speed. [Figure 12](#) describes the protocol required for these ROM function commands. After a ROM function command is successfully executed, the memory and control functions become accessible and the master can provide any one of the eight available commands. [Figure 9](#) describes the protocol for these memory and control function commands. **All data is read and written least significant bit first.**

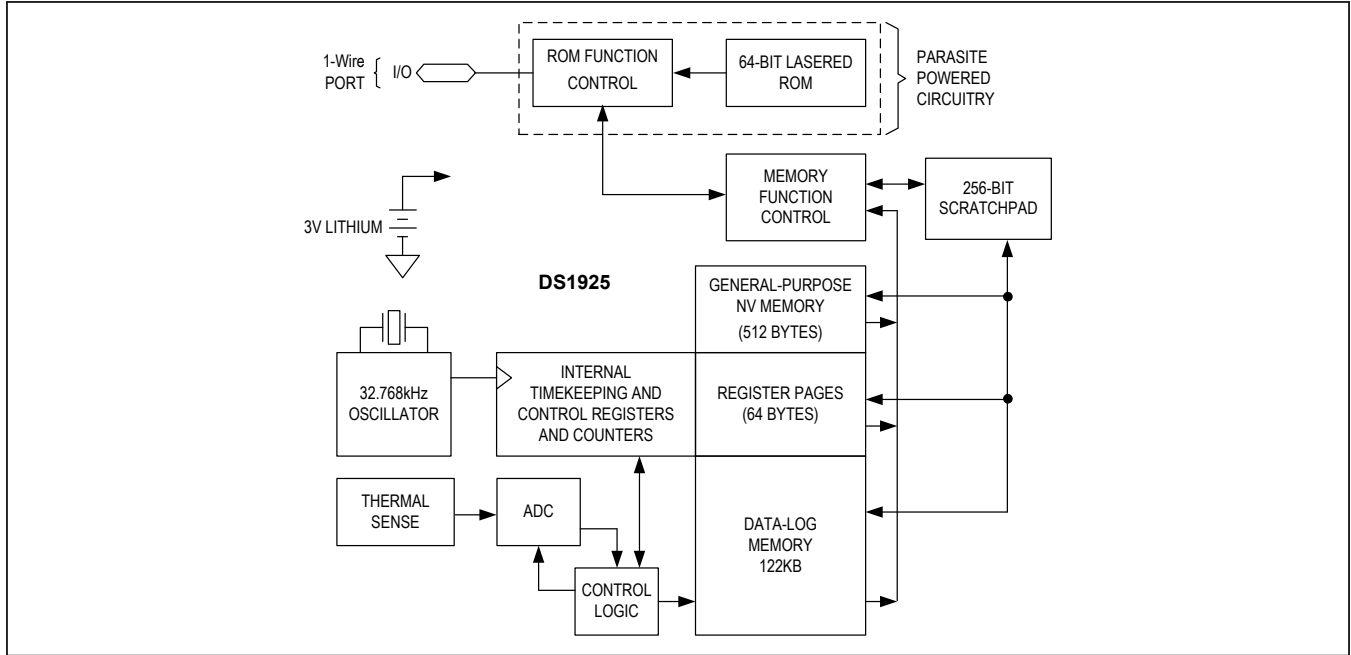


Figure 1. DS1925 Block Diagram

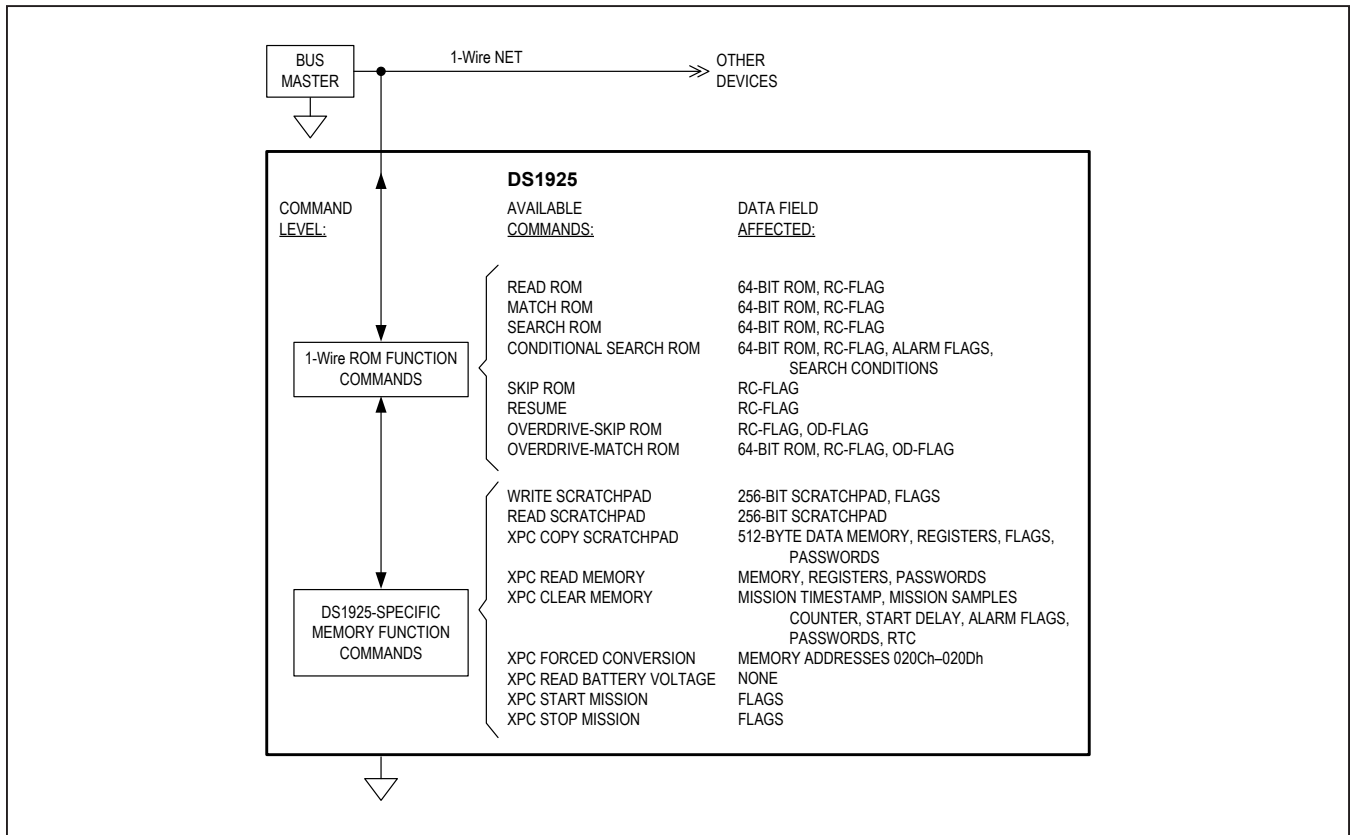


Figure 2. Hierarchical Structure for 1-Wire Protocol

**Parasite Power**

The block diagram (Figure 1) shows the parasite-powered circuitry. This circuitry “steals” power whenever the I/O input is high. I/O provides sufficient power as long as the specified timing and voltage requirements are met. The advantage of parasite power is that if the battery is exhausted for any reason, the ROM and data log may still be read.

**64-Bit Unique ROM**

Each DS1925 contains a unique ROM code that is 64 bits long. The first 8 bits are a 1-Wire family code. The next 48 bits are a unique serial number. The last 8 bits are a CRC of the first 56 bits. See Figure 3 for details. The 1-Wire CRC is generated using a polynomial generator consisting of a shift register and XOR gates as shown in Figure 4. The polynomial is  $X^8 + X^5 + X^4 + 1$ . Additional information about the Maxim Integrated 1-Wire Cyclic Redundancy Check (CRC) is available in Application Note 27: *Understanding and Using Cyclic Redundancy Checks with Maxim 1-Wire and iButton Products*.

The shift register bits are initialized to 0. Then starting with the least significant bit of the family code, one bit at a time is shifted in. After the 8th bit of the family code has been entered, then the serial number followed by the temperature range code is entered. After the range code has been entered, the shift register contains the CRC value. Shifting in the 8 bits of CRC returns the shift register to all 0s.

**Clear Memory State**

The DS1925 enters a clear memory state if it is new or if an XPC Clear Memory (log) sequence is done. In this state, some commands that enable the RTC takes an extra 500ms the first time they are called. The commands that could incur this additional delay ( $t_{SRTC}$ ) are XPC Copy Scratchpad (99h), XPC Forced Conversion (4Bh), XPC Start Mission (DDh), and XPC Read Battery Voltage (33h). This is a one-time delay when coming out of the clear memory state.

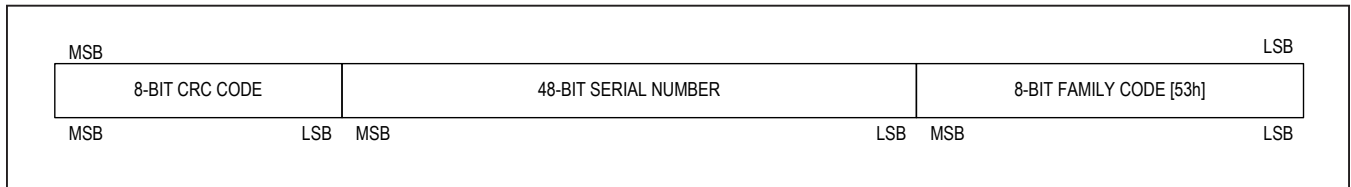


Figure 3. 64-Bit Unique ROM

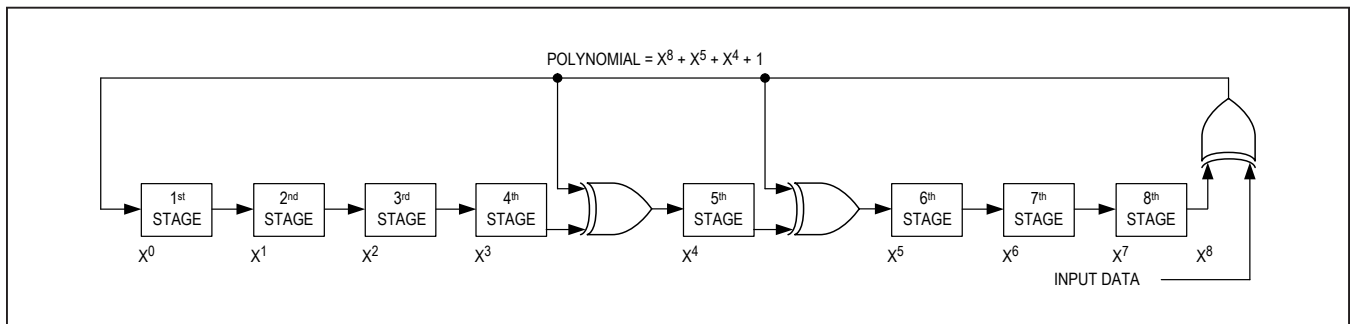


Figure 4. 1-Wire CRC Generator



**Memory**

Figure 5 shows the DS1925’s memory map. The 512 bytes of general-purpose nonvolatile memory is located in pages 0 to 15. The general-purpose is write once with an optional reset using the XPC Clear Memory command. The various registers to set up and control the device fill pages 16 and 17, called register pages 1 and 2 (details in Figure 6). The data-log logging memory starts at address 1000h (page 122) and extends over 3920 pages. The memory pages 18 to 127 are reserved for future extensions. The scratchpad is an additional page that acts as a buffer when writing to the SRAM memory or the register

page. The data memory can be written at any time. See the [Security by Password](#) section for ways to protect the memory. The access type for the register pages is register-specific and depends on whether the device is programmed for a mission. Figure 6 shows the details. The data-log memory is read-only for the user. It is written solely under supervision of the on-chip control logic. See the [Address Registers and Transfer Status](#) section for details.

Several commands provide a repeating result byte as described in Table 1.

**Table 1. Repeating Byte Commands**

| REPEAT BYTE | DESCRIPTION   |
|-------------|---|
| FFh         | Operation not complete  |
| AAh         | (or 55h) Operation success  |
| 22h         | Unable to complete the operation due to mission is in progress                                  |
| 44h         | Error writing memory: Possibly writing memory that needs to be cleared                          |
| 77h         | Invalid parameter in operation  |
| 33h         | Invalid authorization sequence: usually indicates TA1/TA2/ES is not correct in a copy operation |
| 11h         | Invalid password  |
| 00h         | Unable to complete operation, requires XPC clear memory (log) sequence required                 |

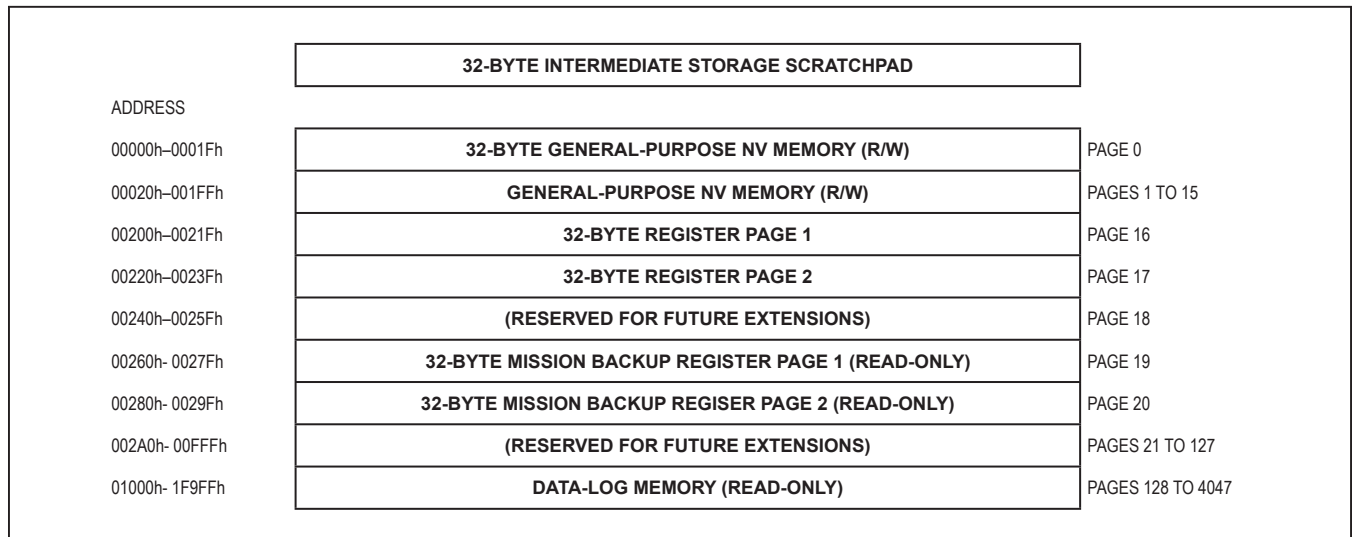


Figure 5. Memory Map

| ADDR  | b7                                      | b6 | b5        | b4   | b3     | b2   | b1   | b0   | FUNCTION                    | ACCESS* |
|-------|---|----|-----------|------|--------|------|------|------|-----------------------------|---------|
| 0200h | LSByte Seconds                          |    |           |      |        |      |      |      | Real-Time Clock Registers   | R/W; R  |
| 0201h | ...                                     |    |           |      |        |      |      |      |                             |         |
| 0202h | ...                                     |    |           |      |        |      |      |      |                             |         |
| 0203h | MSByte Seconds                          |    |           |      |        |      |      |      |                             |         |
| 0204h | (not used)                              |    |           |      |        |      |      |      | (N/A)                       | R; R    |
| 0205h | (not used)                              |    |           |      |        |      |      |      | (N/A)                       | R; R    |
| 0206h | Low Byte                                |    |           |      |        |      |      |      | Sample Rate                 | R/W; R  |
| 0207h | 0                                       | 0  | High Byte |      |        |      |      |      |                             |         |
| 0208h | Low Threshold                           |    |           |      |        |      |      |      | Temp Alarms                 | R/W; R  |
| 0209h | High Threshold                          |    |           |      |        |      |      |      |                             |         |
| 020Ah | Reserved                                |    |           |      |        |      |      |      | (N/A)                       | R; R    |
| 020Bh | Reserved                                |    |           |      |        |      |      |      | (N/A)                       | R; R    |
| 020Ch | Low Byte                                |    |           | 0    | 0      | 0    | 0    | 0    | Latest Temp                 | R; R    |
| 020Dh | High Byte                               |    |           |      |        |      |      |      |                             |         |
| 020Eh | Reserved                                |    |           |      |        |      |      |      | (N/A)                       | R; R    |
| 020Fh | Reserved                                |    |           |      |        |      |      |      |                             |         |
| 0210h | 0                                       | 0  | 0         | 0    | 0      | 0    | ETHA | ETLA | Temperature Alarm Enable    | R/W; R  |
| 0211h | 1                                       | 1  | 1         | 1    | 1      | 1    | 0    | 0    | (N/A)                       | R/W; R  |
| 0212h | 0                                       | 0  | 0         | 0    | 0      | 0    | EHSS | EOSC | RTC Control                 | R/W; R  |
| 0213h | 1                                       | 1  | SUTA      | 1    | (X)    | TLFS | 0    | ETL  | Mission Control             | R/W; R  |
| 0214h | BOR                                     | 1  | 1         | 1    | 0      | 0    | THF  | TLF  | Alarm Status                | R; R    |
| 0215h | 1                                       | 1  | 0         | WFTA | MEMCLR | 0    | MIP  | 0    | General Status              | R; R    |
| 0216h | Low Byte                                |    |           |      |        |      |      |      | Mission Start Delay Counter | R/W; R  |
| 0217h | Center Byte                             |    |           |      |        |      |      |      |                             |         |
| 0218h | High Byte                               |    |           |      |        |      |      |      |                             |         |
| 0219h | LSByte Seconds                          |    |           |      |        |      |      |      | Mission Timestamp           | R/W; R  |
| 021Ah | ...                                     |    |           |      |        |      |      |      |                             |         |
| 021Bh | ...                                     |    |           |      |        |      |      |      |                             |         |
| 021Ch | MSByte Seconds                          |    |           |      |        |      |      |      |                             |         |
| 021Dh | Major Version                           |    |           |      |        |      |      |      | (N/A)                       | R; R    |
| 021Eh | Minor Version                           |    |           |      |        |      |      |      | (N/A)                       | R; R    |
| 021Fh | (No function; reads 00h)                |    |           |      |        |      |      |      | (N/A)                       | R; R    |
| 0220h | Low Byte                                |    |           |      |        |      |      |      | Mission Samples Counter     | R; R    |
| 0221h | Center Byte                             |    |           |      |        |      |      |      |                             |         |
| 0222h | High Byte                               |    |           |      |        |      |      |      |                             |         |
| 0223h | Low Byte                                |    |           |      |        |      |      |      | Device Samples Counter      | R; R    |
| 0224h | Center Byte                             |    |           |      |        |      |      |      |                             |         |
| 0225h | High Byte                               |    |           |      |        |      |      |      |                             |         |
| 0226h | Configuration Code                      |    |           |      |        |      |      |      | Flavor                      | R; R    |
| 0227h | EPW                                     |    |           |      |        |      |      |      | Password Control            | R/W; R  |
| 0228h | First Byte                              |    |           |      |        |      |      |      | Read Access Password        | W; ---  |
| ...   | ...                                     |    |           |      |        |      |      |      |                             |         |
| 022Fh | Eighth Byte                             |    |           |      |        |      |      |      |                             |         |
| 0230h | First Byte                              |    |           |      |        |      |      |      | Full Access Password        | W; —    |
| ...   | ...                                     |    |           |      |        |      |      |      |                             |         |
| 0237h | Eighth Byte                             |    |           |      |        |      |      |      |                             |         |
| 0238h | (No function; all these bytes read 00h) |    |           |      |        |      |      |      | (N/A)                       | R; R    |
| ...   |   |    |           |      |        |      |      |      |                             |         |
| 023Fh |   |    |           |      |        |      |      |      |                             |         |

\*The first entry in the "ACCESS" column is valid between missions. The second entry shows the applicable access type while a mission is in progress.

Figure 6. Register Pages Map

## Detailed Register Descriptions

### Timekeeping and Calendar

The real-time clock (RTC) is a second counter accessed by reading/writing the appropriate bytes in the register page, address 200h–203h. For readings to be valid, all RTC registers must be read sequentially starting at address 0200h. The number representation of the RTC registers is in seconds format. Typically, this is the number of seconds since January 1, 1970 12:00a.m. See [Table 2](#) for the bitmap.

### Sample Rate

The content of the Sample Rate register (addresses 0206h, 0207h) specifies the time elapse between temperature-logging events. The sample rate is coded as an unsigned 14-bit binary number with a maximum value of 16,383. If EHSS = 1, the sample rate is in seconds. If EHSS = 0, the sample rate is in minutes. The fastest recommended sample rate is 5 minutes. Setting a sample rate less than 3 minutes (180 seconds ESHSS = 1 or

3 minutes EHSS = 0) results in a failure on the XPC Start Mission command with repeat code 77h Invalid Parameter. The EHSS bit is located in the RTC Control register at address 0212h. It is important that the user sets the EHSS bit accordingly while setting the Sample Rate register. During a mission, there is only read access to these registers. Bits cells marked 0 always read 0 and cannot be written to 1. See [Table 3](#) for the bitmap.

### Temperature Conversion

The DS1925 measures temperatures in the -40°C to +85°C range. Temperature values are represented as an 8-bit or 16-bit unsigned binary number with a resolution of 0.5°C in the 8-bit mode and 0.0625°C in the 16-bit mode.

The higher temperature byte TRH is always valid. In 16-bit mode, only the three highest bits of the lower byte TRL are valid. The five lower bits all read 0. TRL is undefined if the device is in 8-bit temperature mode. An out-of-range temperature reading is indicated as 00h or 0000h when too cold and FFh or FFE0h when too hot. See [Table 4](#) for the bitmap.

**Table 2. Real-Time Clock and RTC Alarm Registers Bitmap**

| ADDR  | b7             | b6 | b5 | b4 | b3 | b2 | b1 | b0 |
|-------|----------------|----|----|----|----|----|----|----|
| 0200h | LSByte Seconds |    |    |    |    |    |    |    |
| 0201h | ...            |    |    |    |    |    |    |    |
| 0202h | ...            |    |    |    |    |    |    |    |
| 0203h | MSByte Seconds |    |    |    |    |    |    |    |

**Table 3. Sample Rate Register Bitmap**

| ADDR  | b7              | b6 | b5               | b4 | b3 | b2 | b1 | b0 |
|-------|-----------------|----|------------------|----|----|----|----|----|
| 0206h | Sample Rate Low |    |                  |    |    |    |    |    |
| 0207h | 0               | 0  | Sample Rate High |    |    |    |    |    |

**Table 4. Latest Temperature Conversion Result Register Bitmap**

| ADDR  | b7  | b6 | b5 | b4 | b3 | b2 | b1 | b0 |     |
|-------|-----|----|----|----|----|----|----|----|-----|
| 020Ch | T2  | T1 | T0 | 0  | 0  | 0  | 0  | 0  | TRL |
| 020Dh | T10 | T9 | T8 | T7 | T6 | T5 | T4 | T3 | TRH |

**Table 5. Temperature Conversion Examples**

| MODE   | TRH |         | TRL |         | g = (°C)<br>DS1925 |
|--------|-----|---------|-----|---------|--------------------|
|        | HEX | DECIMAL | HEX | DECIMAL |                    |
| 8-bit  | 54h | 84      | —   | —       | 1.0                |
| 8-bit  | 17h | 23      | —   | —       | -29.5              |
| 16-bit | 54h | 84      | 00h | 0       | 1.000              |
| 16-bit | 17h | 23      | 60h | 96      | -29.3125           |

With TRH and TRL representing the decimal equivalent of a temperature reading, calculate the temperature value as:

$$\vartheta(^{\circ}\text{C}) = \text{TRH}/2 - 41 + \text{TRL}/512 \quad (\text{16-bit mode, TLFS} = 1, \text{ see address 0213h})$$

$$\vartheta(^{\circ}\text{C}) = \text{TRH}/2 - 41 \quad (\text{8-bit mode, TLFS} = 0, \text{ see address 0213h})$$

This equation is valid for converting temperature readings stored in the data-log memory as well as for data read from the Latest Temperature Conversion Result register. The “- 41” applies to the DS1925.

To specify the temperature alarm thresholds, the previous equation needs to be resolved to:

$$\text{TALM} = 2 \times \vartheta (^{\circ}\text{C}) + 82$$

where “+ 82” applies to the DS1925.

Because the temperature alarm threshold is only 1 byte, the resolution or temperature increment is limited to 0.5°C. The TALM value needs to be converted into hexa-

decimal format before it can be written to one of the temperature alarm threshold registers (**low alarm address 0208h; high alarm address 0209h**). Independent of the conversion mode (8-bit or 16-bit), only the most significant byte of a temperature conversion is used to determine whether an alarm is generated.

### Temperature Sensor Alarm

The DS1925 has two Temperature Alarm Threshold registers (address 0208h, 0209h) to store values, which determine whether a critical temperature has been reached. A temperature alarm is generated if the device measures an alarming temperature **and** the alarm signaling is enabled. The ETLA and ETHA bits that enable the temperature alarm are located in the Temperature Sensor Control register. See [Table 7](#) for the bitmap. During a mission, there is only read access to this register. Bits 7:2 have no function. They always read 0 and cannot be written to 1. The temperature alarm flags TLF and THF are found in the Alarm Status register at address 0214h.

**Table 6. Temperature Alarm Threshold Examples**

| $\vartheta (^{\circ}\text{C})$ | TALM (DS1925) |         |
|--------------------------------|---------------|---------|
|                                | HEX           | DECIMAL |
| 25.5                           | 85h           | 133     |
| -10.0                          | 3Eh           | 62      |

**Table 7. Temperature Sensor Control Register Bitmap**

| ADDR  | b7 | b6 | b5 | b4 | b3 | b2 | b1   | b0   |
|-------|----|----|----|----|----|----|------|------|
| 0210h | 0  | 0  | 0  | 0  | 0  | 0  | ETHA | ETLA |

**Table 8. Temperature Sensor Control Register Bit Descriptions**

| BIT | NAME | FUNCTION   |
|-----|------|--|
| b1  | ETHA | Enable Temperature High Alarm. This bit controls whether during a mission the temperature high alarm flag (THF) may be set, if a temperature conversion results in a value equal to or higher than the value in the Temperature High Alarm Threshold Register. If ETHA is 1, temperature high alarms are enabled. If ETHA is 0, temperature high alarms are not generated. |
| b0  | ETLA | Enable Temperature Low Alarm. This bit controls whether during a mission the temperature low alarm flag (TLF) may be set, if a temperature conversion results in a value equal to or lower than the value in the Temperature Low Alarm Threshold register. If ETLA is 1, temperature low alarms are enabled. If ETLA is 0, temperature low alarms are not generated.       |

**RTC Control**

To minimize the DS1925's power consumption, the RTC oscillator should be turned off when device is not in use. The oscillator on/off bit is located in the RTC Control register (0212h). Turning the oscillator on when the device is in clear memory state incurs an additional  $t_{SRTC}$  delay. This register also includes the EHSS bit, which determines whether the sample rate is specified in seconds or minutes. [Table 9](#) shows the register bitmap. See [Table 10](#) for register descriptions. During a mission, there is only read access to this register. Bits 7:2 have no function; they always read 0 and cannot be written to 1.

**Mission Control**

The DS1925 is set up for its operation by writing appropriate data to its special function registers, which are located in the two register pages. The settings in the Mission Control register determine which format (8 or 16 bits) is to be used and whether old data can be overwritten by new data, once the data-log memory is full. An additional control bit can be set to tell the DS1925 to wait with logging data until a temperature alarm is encountered. See [Table 11](#) for the register bitmap. During a mission, there is only read access to this register. Bits 7:6 have no function; they always read 1 and cannot be written to 0. Bits 1 and 3 control functions that are not available with the DS1925. Bit 1 must be set to 0. Under this condition the setting of bit 3 becomes a "don't care."

**Table 9. RTC Control Register Bitmap**

| ADDR  | b7 | b6 | b5 | b4 | b3 | b2 | b1   | b0   |
|-------|----|----|----|----|----|----|------|------|
| 0212h | 0  | 0  | 0  | 0  | 0  | 0  | EHSS | EOSC |

**Table 10. RTC Control Register Bit Descriptions**

| BIT | NAME | FUNCTION   |
|-----|------|--|
| b1  | EHSS | Enable High Speed Sample. This bit controls the speed of the sample rate counter. When set to logic 0, the sample rate is specified in minutes. When set to logic 1, the sample rate is specified in seconds.  |
| b0  | EOSC | Enable Oscillator. This bit controls the crystal oscillator of the RTC. When set to logic 1, the oscillator starts operation. When written to logic 0, the oscillator stops and the device is in a low-power data-retention mode. This bit must be 1 for normal operation. XPC Start Mission command automatically starts the RTC by changing the EOSC bit to logic 1. |

**Table 11. Mission Control Register Bitmap**

| ADDR  | b7 | b6 | b5   | b4 | b3  | b2   | b1 | b0  |
|-------|----|----|------|----|-----|------|----|-----|
| 0213h | 1  | 1  | SUTA | 1  | (X) | TLFS | 0  | ETL |

**Table 12. Mission Control Register Bit Descriptions**

| BIT | NAME | FUNCTION  |
|-----|------|---|
| b5  | SUTA | Start Mission Upon Temperature Alarm. This bit specifies whether a mission begins immediately (includes delayed start) or if a temperature alarm is required to start the mission. If this bit is 1, the device performs an 8-bit temperature conversion at the selected sample rate and begins with data logging only if an alarming temperature (high alarm or low alarm) was found. The first logged temperature is when the alarm occurred. However, the Mission Sample Counter does not increment. This functionality is guaranteed by design and not production tested. |
| b2  | TLFS | Temperature Logging Format Selection. This bit specifies the format used to store temperature readings in the data-log memory. If this bit is 0, the data is stored in 8-bit format. If this bit is 1, the 16-bit format is used (higher resolution). With 16-bit format, the most significant byte is stored at the lower address.   |
| b0  | ETL  | Enable Temperature Logging. To set up the device for a temperature-logging mission, this bit must be set to logic 1. The recorded temperature values start at address 1000h.  |

## Alarm Status

The fastest way to determine whether a programmed temperature threshold was exceeded during a mission is through reading the Alarm Status register. In a networked environment that contains multiple DS1925 devices, the devices that encountered an alarm can quickly be identified by means of the Conditional Search ROM command (see the [1-Wire ROM Function Commands](#) section). The temperature alarm only occurs if enabled (see the Temperature Sensor Alarm). The BOR alarm is always enabled. See [Table 13](#) for the bitmap and [Table 14](#) for the bit descriptions. There is only read access to this register. Bits 6:4 have no function; they always read 1. Bits 3:2 have no function with the DS1925; they always read 0. The alarm status bits are cleared simultaneously when the XPC Clear Memory function is invoked. See the [Memory and Control Function Commands](#) for details.

## General Status

The information in the General Status register tells the host computer whether a mission-related command was executed successfully. Individual status bits indicate whether the DS1925 is performing a mission, waiting for a temperature alarm to trigger the logging of data, or whether the data from the latest mission has been cleared. See [Table 15](#) for the bitmap. There is only read access to this register. Bits 6 and 7 have no function. Bits 0, 2, and 5 are normally 0's for typical operation but change to 1's to indicate if the register pages are a backup copy and represent the last state recorded at the start of a mission.

## Mission Start Delay Counter

The content of the Mission Start Delay Counter register tells how many minutes have to expire from the time a mission was started until the first measurement of the mission takes place (SUTA = 0), or until the device starts testing the temperature for a temperature alarm (SUTA = 1). The Mission Start Delay is stored as an unsigned 24-bit integer number. If the start delay is non-zero and the SUTA bit is set to 1, first the delay has to expire before the device starts testing for temperature alarms to begin logging data. See [Table 17](#) for the register bitmap. During a mission, there is only read access to these registers.

For a typical mission, the Mission Start Delay Counter is 0. If a mission is too long for a single DS1925 to store all readings at the selected sample rate, one can use several devices and set the Mission Start Delay for the second device to start recording as soon as the memory of the first device is full, and so on.

## Mission Timestamp

The Mission Timestamp register indicates the date and time of the start of the mission. The time of the first temperature sample of the mission can be computed by adding the Mission Timestamp with the Mission Start Delay Counter. The Mission Timestamp register indicates the date and time of the first temperature sample of the mission. There is only read access to the Mission Timestamp register. See [Table 18](#) for the register bitmap.

**Table 13. Alarm Status Register Bitmap**

| ADDR  | b7  | b6 | b5 | b4 | b3 | b2 | b1  | b0  |
|-------|-----|----|----|----|----|----|-----|-----|
| 0214h | BOR | 1  | 1  | 1  | 0  | 0  | THF | TLF |

**Table 14. Alarm Status Register Bit Descriptions**

| BIT | NAME | FUNCTION   |
|-----|------|--|
| b7  | BOR  | Battery On Reset Alarm. If this bit reads 1, the device has performed a power-on-reset or battery-fail event. See the <i>Revision History</i> section for BOR behavior by version.   |
| b1  | THF  | Temperature High Alarm Flag. If this bit reads 1, there was at least one temperature conversion during a mission revealing a temperature equal to or higher than the value in the Temperature High Alarm register. A forced conversion can affect the THF bit. This bit can also be set with the initial alarm in the SUTA = 1 mode. |
| b0  | TLF  | Temperature Low Alarm Flag. If this bit reads 1, there was at least one temperature conversion during a mission revealing a temperature equal to or lower than the value in the Temperature Low Alarm Register. A forced conversion can affect the TLF bit. This bit can also be set with the initial alarm in the SUTA = 1 mode.    |

**Table 15. General Status Register Bitmap**

| ADDR  | b7 | b6 | b5 | b4   | b3     | b2 | b1  | b0 |
|-------|----|----|----|------|--------|----|-----|----|
| 0215h | 1  | 1  | 0  | WFTA | MEMCLR | 0  | MIP | 0  |

**Table 16. General Status Register Bit Descriptions**

| BIT | NAME   | FUNCTION  |
|-----|--------|---|
| b4  | WFTA   | Waiting for Temperature Alarm. If this bit reads 1, the Mission Start Upon Temperature Alarm was selected and the XPC Start Mission command was successfully executed, but the device has not yet experienced the temperature alarm. This bit is cleared after a temperature alarm event, but is not affected by the XPC Clear Memory command. Once set, WFTA remains set if a mission is stopped before a temperature alarm occurs. To clear WFTA manually before starting a new mission, set the high temperature alarm (address 0209h) to -40°C and perform a forced conversion. |
| b3  | MEMCLR | Memory Cleared. If this bit reads 1, the Mission Timestamp, Mission Samples Counter, as well as all the alarm flags of the Alarm Status register have been cleared in preparation of a new mission. Executing the XPC Clear Memory command with parameter byte 01h clears these memory sections. The MEMCLR bit returns to 0 as soon as a new mission is started by using the XPC Start Mission command. The memory must be cleared for a mission to start.   |
| b1  | MIP    | Mission In Progress. If this bit reads 1, the device has been set up for a mission and this mission is still in progress. The MIP bit returns from logic 1 to logic 0 when a mission has ended. See the XPC Start Mission and XPC Stop Mission function commands.   |

**Table 17. Mission Start Delay Counter Register Bitmap**

| ADDR  | b7                | b6 | b5 | b4 | b3 | b2 | b1 | b0 |
|-------|-------------------|----|----|----|----|----|----|----|
| 0216h | Delay Low Byte    |    |    |    |    |    |    |    |
| 0217h | Delay Center Byte |    |    |    |    |    |    |    |
| 0218h | Delay High Byte   |    |    |    |    |    |    |    |

**Table 18. Mission Timestamp Register Bitmap**

| ADDR  | b7             | b6 | b5 | b4 | b3 | b2 | b1 | b0 |
|-------|----------------|----|----|----|----|----|----|----|
| 0219h | LSByte Seconds |    |    |    |    |    |    |    |
| 021Ah | ...            |    |    |    |    |    |    |    |
| 021Bh | ...            |    |    |    |    |    |    |    |
| 021Ch | MSByte Seconds |    |    |    |    |    |    |    |

**Table 19. Device Version**

| ADDR | b7            | b6 | b5 | b4 | b3 | b2 | b1 | b0 |
|------|---------------|----|----|----|----|----|----|----|
| 021D | Major Version |    |    |    |    |    |    |    |
| 021E | Minor Version |    |    |    |    |    |    |    |

### Mission Progress Indicator

Depending on settings in the Mission Control register (address 0213h), the DS1925 logs temperature in 8-bit or 16-bit format. The Mission Samples Counter register together with the starting address and the logging format (8 or 16 bits) provides the information to identify valid blocks of data that have been gathered during the current (MIP = 1) or latest mission (MIP = 0). See the [Data-Log Memory Usage](#) section for an illustration. See [Table 20](#) for the register bitmap. There is only read access to this register.

The number read from the Mission Samples Counter indicates how often the DS1925 woke up during a mission to measure temperature. The number format is 24-bit unsigned integer. The Mission Samples Counter is reset through the XPC Clear Memory command

### Other Indicators

The Device Samples Counter is similar to the Mission Samples Counter. During a mission this counter increments whenever the DS1925 wakes up to measure and log data and when the device is testing for a temperature alarm in SUTA mode. This way the Device Samples Counter functions like a gas gauge for the battery that

powers the iButton device. There is only read access to this register.

The Device Samples Counter is reset to zero when the iButton device is assembled. The counter increments a couple of times during final test. The number format is 24-bit unsigned integer. The maximum number that can be represented in this format is 16777215.

The Device Configuration byte is used to allow the master to distinguish between the different versions of the iButton logger devices. [Table 22](#) shows the codes assigned to the various devices. There is only read access to this register.

### Security by Password

The DS1925 is designed to use two passwords that control read access and full access. Reading from or writing to the scratchpad as well as the XPC Forced Conversion command do not require a password. The password needs to be transmitted right after the command code of the memory or control function. If password checking is enabled, the password transmitted is compared to the passwords stored in the device. The data pattern stored in the Password Control register determines whether password checking is enabled. See [Table 23](#) for the register bitmap. During a mission, there is only read access to this register.

**Table 20. Mission Samples Counter Register Bitmap**

| ADDR  | b7          | b6 | b5 | b4 | b3 | b2 | b1 | b0 |
|-------|-------------|----|----|----|----|----|----|----|
| 0220h | Low Byte    |    |    |    |    |    |    |    |
| 0221h | Center Byte |    |    |    |    |    |    |    |
| 0222h | High Byte   |    |    |    |    |    |    |    |

**Table 21. Device Samples Counter Register Bitmap**

| ADDR  | b7          | b6 | b5 | b4 | b3 | b2 | b1 | b0 |
|-------|-------------|----|----|----|----|----|----|----|
| 0223h | Low Byte    |    |    |    |    |    |    |    |
| 0224h | Center Byte |    |    |    |    |    |    |    |
| 0225h | High Byte   |    |    |    |    |    |    |    |

**Table 22. Device Configuration Byte (0226h)**

| ADDR  | b7 | b6 | b5 | b4 | b3 | b2 | b1 | b0 | DEVICE  |
|-------|----|----|----|----|----|----|----|----|---------|
| 0226h | 0  | 0  | 0  | 0  | 0  | 0  | 0  | 0  | DS2422  |
| 0226h | 0  | 0  | 1  | 0  | 0  | 0  | 0  | 0  | DS1923  |
| 0226h | 0  | 1  | 0  | 0  | 0  | 0  | 0  | 0  | DS1922L |
| 0226h | 0  | 1  | 1  | 0  | 0  | 0  | 0  | 0  | DS1922T |
| 0226h | 1  | 0  | 0  | 0  | 0  | 0  | 0  | 0  | DS1922E |
| 0226h | 1  | 0  | 1  | 0  | 0  | 0  | 0  | 0  | DS1925  |



To enable password checking, set EPW to (AAh). The default pattern of EPW, and any value other than AAh allows the 64-bit read and 64-bit full access passwords to be set. Once password checking is enabled, changing the passwords and disabling password checking requires the knowledge of the current full-access password.

Before enabling password checking, passwords for read-only access and for full access (read/write/control) need to be written to the password registers. Setting up a password or enabling/disabling the password checking is done in the same way as writing data to a memory location, only the address is different. Because they are located in the same memory page, both passwords can be redefined at the same time.

The Read Access Password needs to be transmitted exactly in the sequence RP0, RP1 . . . RP62, RP63. This password only applies to XPC Read Memory function. The DS1925 delivers the requested data only if the password transmitted by the master was correct or if password checking is not enabled. See [Table 24](#) for the Read Access Password Register bitmap. There is only write access to this register. Attempting to read the password

reports all zeros. The password cannot be changed while a mission is in progress.

The Full Access Password needs to be transmitted exactly in the sequence FP0, FP1 . . . FP62, FP63. It affects the functions XPC Read Memory, XPC Copy Scratchpad, XPC Clear Memory, XPC Start Mission, and XPC Stop Mission. The DS1925 executes the command only if the password transmitted by the master was correct, or if password checking is not enabled. See [Table 25](#) for the Full Access Password Register bitmap. There is only write access to this register. Attempting to read the password reports all zeros. The password cannot be changed while a mission is in progress.

Due to the special behavior of the write access logic, the Password Control register and both passwords must be written at the same time. When setting up new passwords, always verify (read back) the scratchpad before sending the XPC Copy Scratchpad command. After a new password is successfully copied from the scratchpad to its memory location, erase the scratchpad by filling it with new data (write scratchpad command). Otherwise, a copy of the passwords remain in the scratchpad for public read access.

**Table 23. Password Control Register Bitmap**

| ADDR  | b7  | b6 | b5 | b4 | b3 | b2 | b1 | b0 |
|-------|-----|----|----|----|----|----|----|----|
| 0227h | EPW |    |    |    |    |    |    |    |

**Table 24. Read Access Password Register Bitmap**

| ADDR  | b7   | b6   | b5   | b4   | b3   | b2   | b1   | b0   |
|-------|------|------|------|------|------|------|------|------|
| 0228h | RP7  | RP6  | RP5  | RP4  | RP3  | RP2  | RP1  | RP0  |
| 0229h | RP15 | RP14 | RP13 | RP12 | RP11 | RP10 | RP9  | RP8  |
| ...   | ...  |      |      |      |      |      |      |      |
| 022Eh | RP55 | RP54 | RP53 | RP52 | RP51 | RP50 | RP49 | RP48 |
| 022Fh | RP63 | RP62 | RP61 | RP60 | RP59 | RP58 | RP57 | RP56 |

**Table 25. Full Access Password Register Bitmap**

| ADDR  | b7   | b6   | b5   | b4   | b3   | b2   | b1   | b0   |
|-------|------|------|------|------|------|------|------|------|
| 0230h | FP7  | FP6  | FP5  | FP4  | FP3  | FP2  | FP1  | FP0  |
| 0231h | FP15 | FP14 | FP13 | FP12 | FP11 | FP10 | FP9  | FP8  |
| ...   | ...  |      |      |      |      |      |      |      |
| 0236h | FP55 | FP54 | FP53 | FP52 | FP51 | FP50 | FP49 | FP48 |
| 0237h | FP63 | FP62 | FP61 | FP60 | FP59 | FP58 | FP57 | FP56 |

## Data-Log Memory Usage

Once set up for a mission, the DS1925 logs the temperature measurements at equidistant time points entry after entry in its data-log memory. The data-log memory is able to store 125,440 entries in 8-bit format or 62,720 entries in 16-bit format (Figure 7). In 16-bit format, the higher 8 bits of an entry are stored at the lower address. Knowing the starting time point (Mission Timestamp) and the interval between temperature measurements, one can reconstruct the time and date of each measurement.

The contents of the Mission Samples Counter in conjunction with the sample rate and the Mission Timestamp then allows reconstructing the time points of all values stored in the data-log memory. This gives the exact history over time for the most recent measurements taken.

## Missioning

The DS1925's typical task is recording temperature. Before the device can perform this function, it needs to be set up properly. This procedure is called missioning.

First, the DS1925 needs to have its RTC set to valid time and date. This reference time can be the local time, or, when used inside of a mobile unit, UTC/GMT (Coordinated Universal Time or Greenwich Mean Time) or any other time standard that was agreed upon. The RTC oscillator must be running (EOSC = 1). The memory assigned to store the Mission Timestamp, Mission Samples Counter, and Alarm Flags must be cleared using the memory clear command. To enable the device for a mission, the ETL must be set to 1. These are general settings that have to be made in any case, regardless of the type of object to be monitored and the duration of the mission.

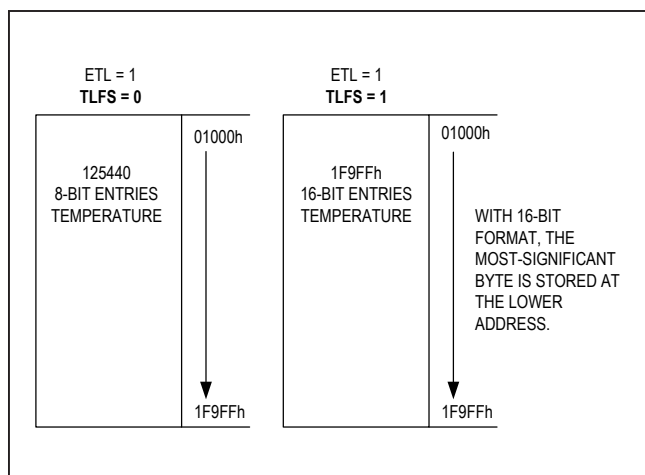


Figure 7. Temperature Logging

If alarm signaling is desired, the temperature alarm low and high thresholds must be defined. See the [Temperature Conversion](#) section on how to convert a temperature value into the binary code to be written to the threshold registers. In addition, the temperature alarm must be enabled for the low and/or high threshold. This makes the device respond to a Conditional Search ROM command (see the [1-Wire ROM Function Commands](#) section), provided that an alarming condition has been encountered.

The setting of the sample rate depends on the duration of the mission and the monitoring requirements. One should estimate the duration of the mission in minutes and divide the number by 125,440 (8-bit format) or 62,720 (16-bit format) to calculate the value of the sample rate (number of minutes between conversions). If the estimated duration of a mission is 300 days (= 432,000 minutes), for example, then the 122KB capacity of the data-log memory would be sufficient to store a new 11-bit value every 6.9 minutes (413 seconds). If the data-log memory of the DS1925 is not large enough to store all readings, one can use several devices and set the Mission Start Delay to values that make the second device start logging as soon as the memory of the first device is full, and so on.

After the Mission Start Delay is set, the sample rate needs to be written to the Sample Rate register. The sample rate may be any value from 1 to 16,383, coded as an unsigned 14-bit binary number. The fastest sample rate is one sample per 3 minutes (EHSS = 1, sample rate = 0B4h); however, the fastest recommended sample rate is 5 minutes and the slowest is one sample every 273.05 hours (EHSS = 0, Sample Rate = 3FFFh). To get one sample every 6 minutes, for example, the sample rate value needs to be set to 6 (EHSS = 0) or 360 decimal (equivalent to 0168h at EHSS = 1).

If there is a risk of unauthorized access to the DS1925 or manipulation of data, one should define passwords for read access and full access. Before the passwords become effective, their use needs to be enabled. See the [Security by Password](#) section for more details.

The last step to begin a mission is to issue the XPC Start Mission command. As soon as it has received this command, the DS1925 sets the MIP flag and clears the MEMCLR flag. With the immediate/delayed start mode (SUTA = 0), after as many minutes as specified by the Mission Start Delay are over, the device wakes up, copies the current date and time to the Mission Timestamp register, and logs the first entry of the mission. This increments both the Mission Samples Counter and Device Samples Counter. All subsequent log entries are made as specified by the value in the Sample Rate register and the EHSS bit.

If the Start Upon Temperature Alarm mode is chosen (SUTA = 1) and temperature logging is enabled (ETL = 1), the DS1925 first waits until the start delay is over. Then the device wakes up in intervals as specified by the sample rate and EHSS bit and measure the temperature. This increments the Device Samples Counter and Mission Samples Counter. The first sample of the mission is logged when the temperature alarm occurred. All subsequent log entries are made as specified by the value in the Sample Rate register and the EHSS bit.

The general-purpose memory operates independently of the other memory sections and is not write protected during a mission. All the DS1925's memory can be read at any time, i.e., to watch the progress of a mission. Attempts to read the passwords read FFh bytes instead of the data that is stored in the password registers.

## Memory Access

### Address Registers and Transfer Status

Because of the serial data transfer, the DS1925 employs three address registers: TA1, TA2, and E/S (Figure 8). Registers TA1 and TA2 must be loaded with the target address to which the data are written or from which data are sent to the master upon a Read command. Register E/S acts like a byte counter and transfer status register. It is used to verify data integrity with Write commands. Therefore, the master only has read access to this register. The lower 5 bits of the E/S register indicate the address of the last byte that has been written to the scratchpad. This address is called Ending Offset. Bit 5 of the E/S register, called PF or “partial byte flag,” is set if

the number of data bits sent by the master is not an integer multiple of 8. Bit 6 is always a 0. Note that the lowest 5 bits of the target address also determine the address within the scratchpad, where intermediate storage of data begins. This address is called byte offset. If the target address for a write command is 13Ch, for example, then the scratchpad stores incoming data beginning at the byte offset 1Ch and is full after only 4 bytes. The corresponding ending offset in this example is 1Fh. For best economy of speed and efficiency, the target address for writing should point to the beginning of a page, i.e., the byte offset is 0. Thus, the full 32-byte capacity of the scratchpad is available, resulting also in the ending offset of 1Fh. The ending offset together with the PF is mainly a means to support the master checking the data integrity after a write command. The highest valued bit of the E/S Register, called AA or “authorization accepted,” indicates that a valid copy command for the scratchpad has been received and executed. Writing data to the scratchpad clears this flag.

### Writing with Verification

To write data to the DS1925, the scratchpad has to be used as intermediate storage. First, the master issues the Write Scratchpad command to specify the desired target address, followed by the data to be written to the scratchpad. In the next step, the master sends the Read Scratchpad command to read the scratchpad and to verify data integrity. As preamble to the scratchpad data, the DS1925 sends the requested target address TA1 and TA2 and the contents of the E/S Register. If the PF flag is set, data did not arrive correctly in the scratchpad. The

|  | BIT | 7   | 6   | 5   | 4   | 3   | 2   | 1  | 0  |
|--|-----|-----|-----|-----|-----|-----|-----|----|----|
| TARGET ADDRESS (TA1)                                 |     | T7  | T6  | T5  | T4  | T3  | T2  | T1 | T0 |
| TARGET ADDRESS (TA2)                                 |     | T15 | T14 | T13 | T12 | T11 | T10 | T9 | T8 |
| ENDING ADDRESS WITH DATA STATUS (E/S)<br>(READ ONLY) |     | AA  | 0   | PF  | E4  | E3  | E2  | E1 | E0 |

Figure 8. Address Registers

master does not need to continue reading; it can start a new trial to write data to the scratchpad. Similarly, a set AA flag indicates that the Write command was not recognized by the device. If everything went correctly, both flags are cleared and the ending offset indicates the address of the last byte written to the scratchpad. Now the master can continue verifying every data bit. After the master has verified the data, it has to use the XPC Copy Scratchpad command. This command sequence uses the three address registers TA1, TA2, and E/S as the master has read them verifying the scratchpad. As soon as the XPC Copy Scratchpad starts, it copies the data to the requested location beginning at the target address.

## Memory and Control Function Commands

[Figure 9](#) describes the protocols necessary for accessing the memory and the special function registers of the DS1925. See the [Mission Example: Prepare and Start a New Mission](#) section for how to use these and other functions to set up the DS1925 for a mission. The communication between master and DS1925 takes place either at standard speed (default, OD = 0) or at overdrive speed (OD = 1). If not explicitly set into the overdrive mode, the DS1925 assumes standard speed. Internal memory access during a mission has priority over external access through the 1-Wire interface. This affects several of the commands described below. See the [Memory Access Conflicts](#) section for details and remedies.

### Write Scratchpad Command [0Fh]

After issuing the Write Scratchpad command, the master must first provide the 2-byte target address, followed by the data to be written to the scratchpad. The data is written to the scratchpad starting at the byte offset (T[4:0]).

When executing the Write Scratchpad command, the CRC generator inside the DS1925 (see [Figure 15](#)) calculates a CRC of the entire data stream, starting at the command code and ending at the last data byte sent by the master. This CRC is generated using the CRC-16 polynomial by first clearing the CRC generator and then shifting in the command code (0Fh) of the Write Scratchpad command, the target addresses TA1 and TA2 as supplied by the master and all the data bytes. If the ending offset is 11111b, the master may send 16 read time slots and receive the inverted CRC-16 generated by the DS1925.

Note that both register pages are write protected during a mission. Although the Write Scratchpad command works normally at any time, the subsequent XPC Copy Scratchpad to a register page fails during a mission.

### Read Scratchpad Command [AAh]

This command is used to verify scratchpad data and target address. After issuing the Read Scratchpad command, the master begins reading. The first 2 bytes are the target address. The next byte is the ending offset/data status byte (E/S) followed by the scratchpad data beginning at the byte offset (T4:T0), as shown in [Figure 8](#). The master may continue reading data until the end of the scratchpad after which it receives an inverted CRC-16 of the command code, target addresses TA1 and TA2, the E/S byte, and the scratchpad data starting at the target address. After the CRC is read, the bus master reads logical 1s from the DS1925 until a reset pulse is issued.

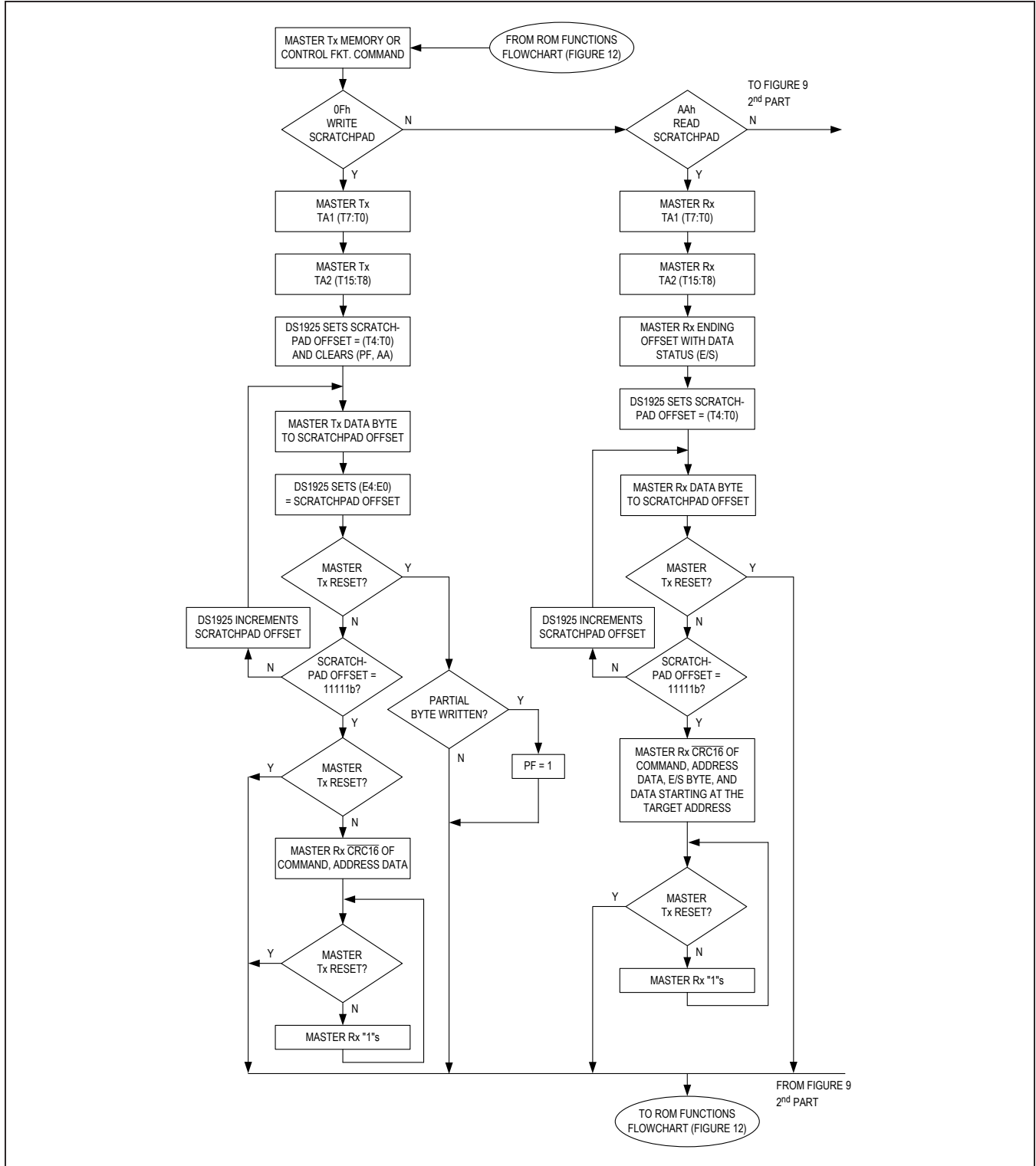


Figure 9a. Memory/Control Function Flowchart- XPC Sub-Commands Flowchart

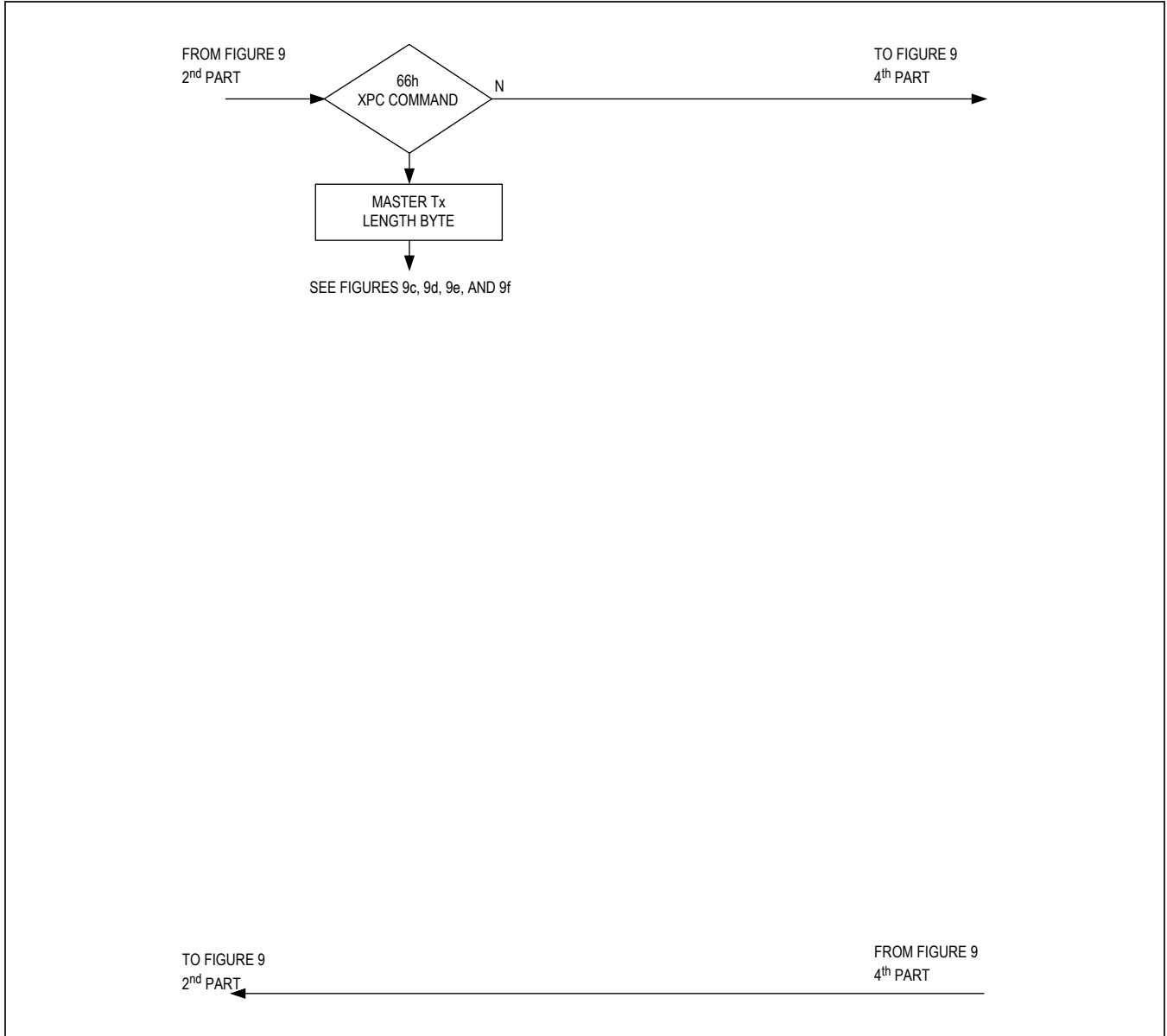


Figure 9b. Memory/Control Function Flowchart—XPC Subcommands Flowchart (continued)

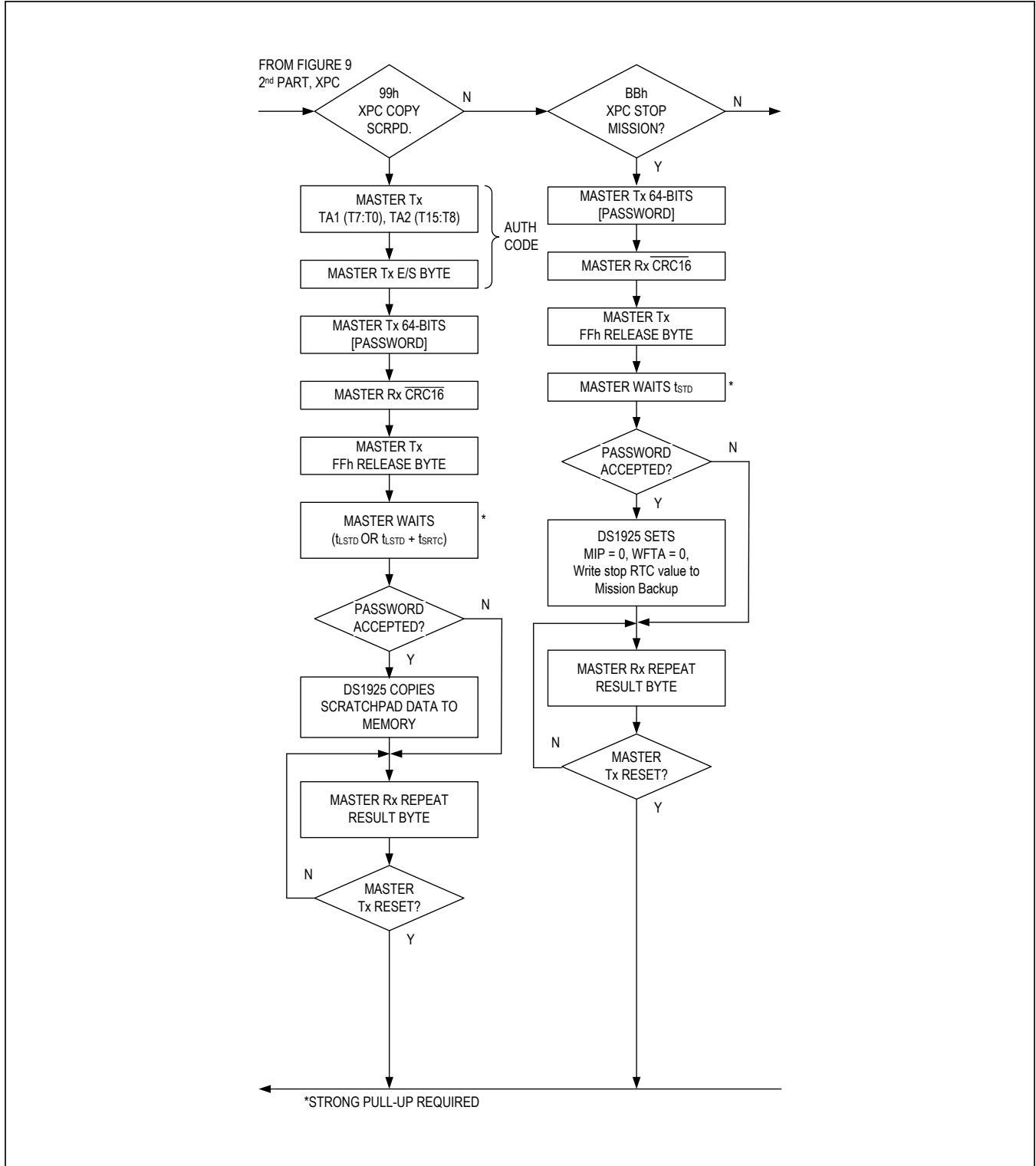


Figure 9c. Memory/Control Function Flowchart—XPC Subcommands Flowchart (continued)





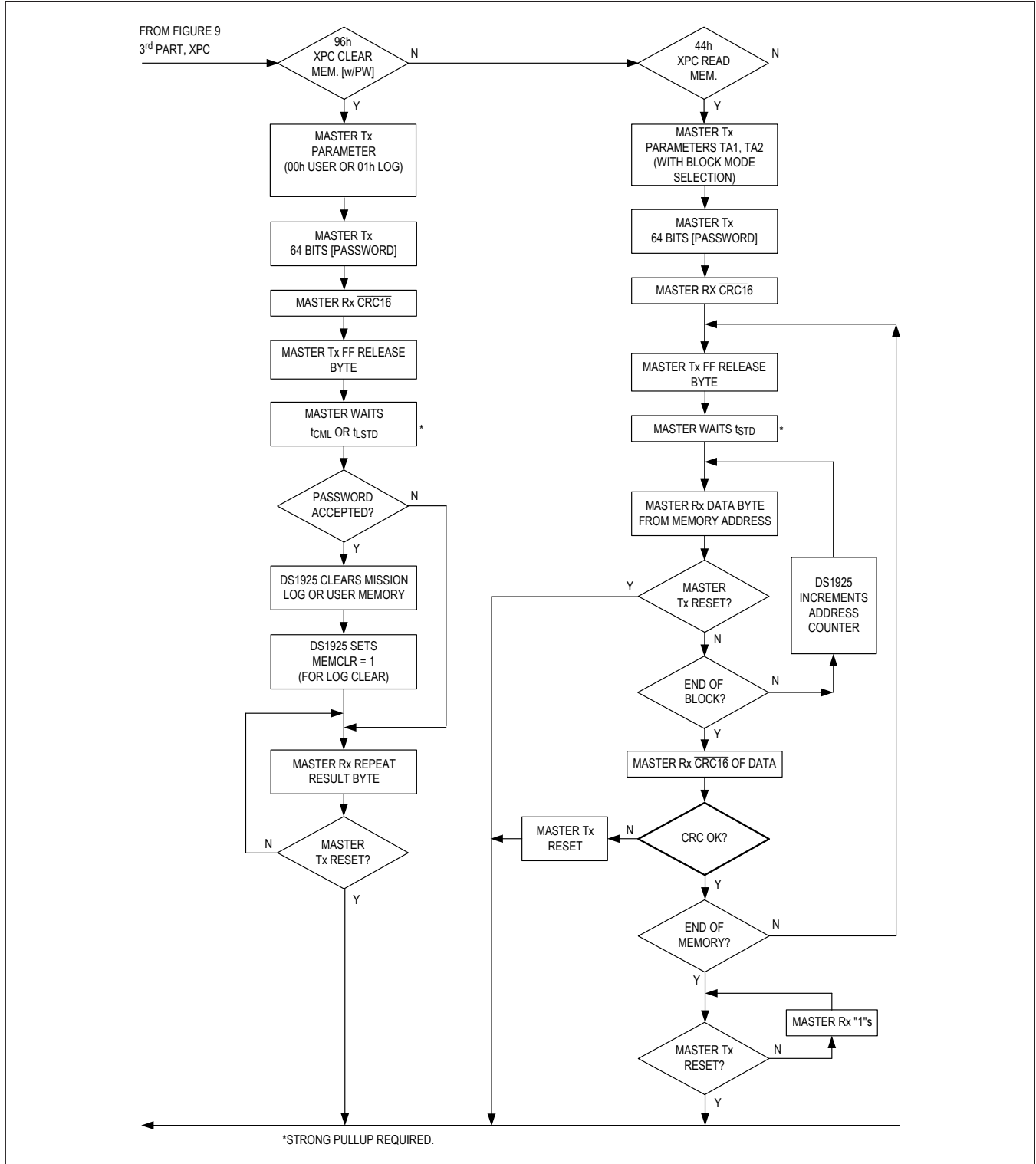


Figure 9e. Memory/Control Function Flowchart— XPC Sub-Commands Flowchart

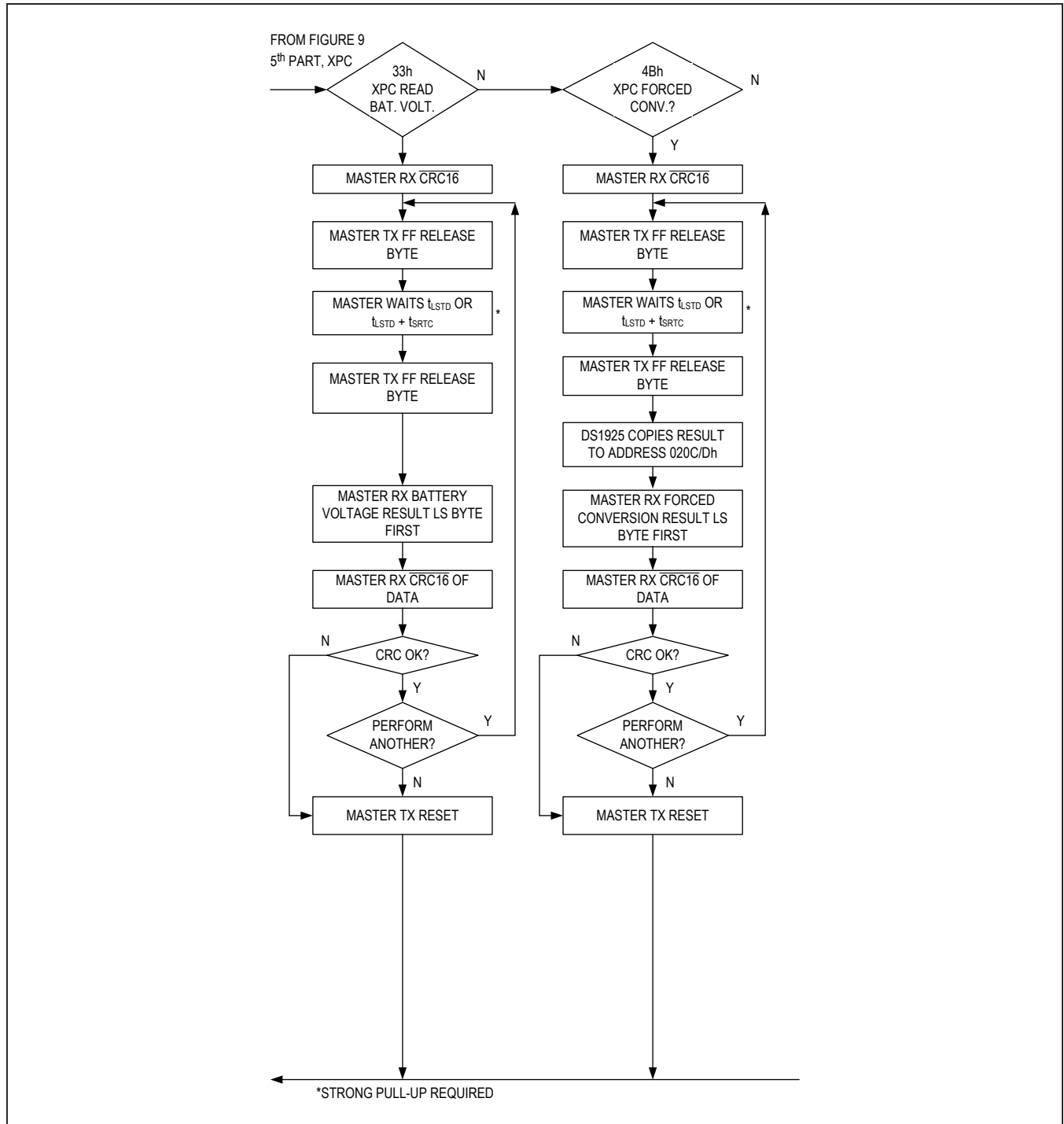


Figure 9f. Memory/Control Function Flowchart—XPC Subcommands Flowchart (continued)

**External Power Command (XPC) [66h]**

The external power command is a gateway command that allows subcommands to operate using an external strong pullup. The XPC command is followed by a length byte, the sub-command, and its parameter bytes. The master then receives a CRC16, transmits an FFh dummy byte, and enables the strong pullup.

**XPC Copy Scratchpad [99h]**

The XPC Copy Scratchpad command is a subcommand of the external power command. This command is used to copy data from the scratchpad to the writable memory sections.

The bus master sends the XPC command code [66h], length byte [0Ch], XPC Copy Scratchpad command code [99h], TA1 address byte, TA2 address byte, and E/S byte. These three bytes are the authorization sequence and can be verified using a Read Scratchpad command. Next, the master must transmit the full-access 64-bit password. At this point, the bus master sends 16 additional read data time slots and receives the inverted 16-bit CRC. If the CRC is correct, the master then sends the release byte [FFh], and strong pullup and delay of  $t_{LSTD}$  or  $t_{LSTD} + t_{SRTC}$ . The additional  $t_{SRTC}$  delay is required if this RTC is being enabled with this command and the device is in the Clear Memory state. If passwords are enabled and the transmitted password is different from the stored full-access password, the XPC Copy Scratchpad command fails. If the password was correct or if passwords were not enabled, the device tests the 3-byte authorization code. If the authorization code pattern matches, the AA (authorization accepted) flag is set and the copy begins. After the required strong pullup delay, an FFh dummy byte is then read followed by a repeating result byte. The repeating byte is transmitted until the master issues a reset pulse to indicate success or an error condition.

The data to be copied is determined by the three address registers. The scratchpad data from the beginning offset through the ending offset is copied, starting at the target address. The AA flag remains at logic 1 until it is cleared by the next Write Scratchpad command. With a suitable password, the XPC Copy Scratchpad always functions for the 16 pages of data memory. While a mission is in progress, write attempts to the register pages are not successful. The AA bit remaining at 0 indicates this.

**XPC Start Mission [DDh]**

The XPC Start Mission command is a subcommand of the external power command. This command is used to start a temperature logging mission

The bus master sends the XPC command code [66h], length byte [09h], XPC Start Mission command code [DDh], 64-bit full-access password. At this point, the bus master sends 16 additional read data time slots and receives the inverted 16-bit CRC. If the CRC is correct, the master then sends the release byte [FFh], and strong pullup and delay of  $t_{LSTD}$  or  $t_{LSTD} + t_{SRTC}$ . The additional  $t_{SRTC}$  delay is required if this RTC was not already enabled and the device is in the Clear Memory State.

A new mission can only be started if the previous mission has been ended and the memory has been cleared. After the strong pullup, an FFh dummy byte is then read followed by a repeating result byte. A repeating result byte of 77h Invalid Parameter indicates that the selected sample rate is less than 3 minutes and is not supported. If passwords are enabled and the transmitted password is different from the stored full-access password, the XPC Start Mission command fails with a repeating result byte of 11h Invalid Password. If the password was correct or if passwords were not enabled, the device starts a mission. If SUTA = 0, the sampling begins as soon as the mission start delay is over. If SUTA = 1, the first sample is written to the data-log memory at the time the temperature alarm occurred. At this point the Mission Sample Counter increments and the Mission Timestamp is set and the regular sampling and logging begins. While the device is waiting for a temperature alarm to occur, the WFTA flag in the General Status register reads 1. During a mission there is only read access to the register pages. The Mission Backup Registers are written on a XPC Start Mission command. See [Figure 15](#).

**XPC Stop Mission [BBh]**

The XPC Stop Mission command is a subcommand of the external power command. This command is used to stop a temperature logging mission

The bus master sends the XPC command code [66h], length byte [09h], XPC Stop Mission command code [BBh], 64-bit full-access password. At this point, the bus master sends 16 additional read data time slots and receives the inverted 16-bit CRC. If the CRC is correct, the master then sends the release byte [FFh], and strong pullup and delay of  $t_{LSTD}$ .

The DS1925 uses a control function command to stop a mission. Only a mission that is in progress can be stopped. After the strong pullup, an FFh dummy byte is then read followed by a repeating result byte. If passwords are enabled and the transmitted password is different from the stored full-access password, the XPC Stop Mission command fails. If the password was correct or if passwords were not enabled, the device clears the MIP bit in the General Status register and restores write access to the register pages. The Mission Backup Registers are written on a XPC Stop Mission command. See [Figure 15](#).

### XPC Read Memory [44h]

The XPC Read Memory command is a subcommand of the external power command. The command is applicable to the entire user memory and the datalog memory. The command can be used at any time, regardless of the battery status.

The bus master sends the XPC command code [66h], length byte [0Bh], XPC Read Memory command code [44h], TA1 address byte, and TA2 address byte. Next, the master must transmit one of the 64-bit passwords followed by release bytes [FFh], and strong pullup and delay of  $t_{STD}$ . If passwords are enabled and the transmitted password does not match one of the stored passwords, the XPC Read Memory command fails. The device reads the invalid password repeat byte instead of data memory. If the password was correct or if passwords were not enabled, the master reads data from the DS1925 beginning from the starting address and continuing until the end of the block is reached. Block size is determined by the upper bits of TA2 as described below. At that point, the bus master sends 16 additional read data time slots and receives the inverted 16-bit CRC. Immediately following the CRC, the master can issue another release byte, and strong pullup and delay of  $t_{STD}$  to read the next block. This sequence continues until the bus master resets the device. When trying to read the passwords or memory areas that are marked as reserved, the DS1925 transmits 00h or FFh bytes. The CRC at the end of a block is based on the data as it was transmitted.

With the initial pass through the XPC Read Memory flow, the 16-bit CRC value is the result of shifting the XPC command byte, length byte, XPC Read Memory sub-command, followed by the two address bytes and the 8 bytes of password. Subsequent passes through the flow generate a 16-bit CRC that is the result of clearing the CRC generator and then shifting in the contents of the data

memory page. After the 16-bit CRC of the last block is read, the bus master receives logical 1s from the DS1925 until a reset pulse is issued. The XPC Read Memory command sequence can be ended at any point by issuing a reset pulse outside of the reserved strong pullup times.

To access the entire memory space, the two most significant bits of TA2 can be used to change the address encoding. Reference [Figure 8](#) for target address bit map. If T15 = 0, address (T14-T0) is used as a starting byte address which is limited to  $2^{15}$ . The following mode is used to start at higher pages. If T15 = 1, address (T13-T0) is used as a starting page number. In addition if the user is reading the data-log memory, T14 = 1 increases the block size to 64 bytes, or 2 pages. The T14 = 1 large block mode is only available for the datalog memory space.

The Mission Backup Register backup copies are written when the last mission was started. Not all of the fields are backed up. The only fields that are valid in this condition are: sample rate (0206h to 0207h), temperature alarm (0208h to 0209h), temperature alarm enable (0210h), RTC enable (0212h), miscellaneous control (0213h), start delay counter (0216h to 0218h), mission time stamp (0219h to 021Ch), mission sample counter (0220h to 0222h), and device samples counter (0223h to 0225h). To compute the new mission sample counter and device sample counter at the time the battery depleted, the log must be read. The end of log can be determined when the readings are FFh. See [Figure 15](#).

### XPC Clear Memory [96h]

The XPC Clear Memory command is used to prepare the device for another mission by clearing the log or to clear the user memory. This command is only executed to clear the log memory if no mission is in progress. XPC clear memory is a subcommand to the general-purpose XPC command 66h. The XPC command (66h) is sent first, followed by a length byte (0Ah), the subcommand (96h), the parameter byte 00h for user memory or 01h for log memory, and then the password. After that the device responds with a CRC-16 of the preceding bytes. After this sequence the master sends an FFh release byte followed by a strong pullup and delay ( $t_{LSTD}$  for user memory and  $t_{CML}$  for log memory). If passwords are enabled and the transmitted password is different from the stored full-access password or a mission is in progress, the XPC Clear Memory command fails. The success or failure of the command is indicated by the repeat byte that is read after the strong pullup delay. If the password was correct or if passwords were not enabled

and the parameter is 01h, the device clears the mission log memory, mission timestamp, mission samples counter, and all alarm flags of the Alarm Status register. After these cells are cleared, the MEMCLR bit of the General Status register reads 1 to indicate the successful execution of the XPC Clear Memory command. This command and parameter clears the RTC (EOSC = 0). The Mission Backup registers are written on a XPC Clear Memory (log) command. See [Figure 15](#).

If the parameter is 00h, only the 16 pages of user memory are cleared. The RTC need not be enabled to clear the user memory. The user memory can be cleared during a mission.

### XPC Forced Conversion [4Bh]

The XPC forced conversion command can be used to measure the temperature without starting a mission. The length for this XPC command is one byte which is the command code. After the command code, the master has to send one FFh byte to get the conversion started. The conversion result is found as a 16-bit value in the Latest Temperature Conversion Result register. This command is only executed if no mission is in progress (MIP = 0). It takes maximum  $t_{LSTD}$  to complete or  $t_{LSTD} + t_{SRTC}$  if the device is in the Clear Memory state. After the delay, an additional FFh byte is read followed by the temperature conversion result and a CRC16. Additional measurements can then be taken by issuing the first FFh byte again to repeat the sequence. The Device Samples Counter does not increment for the XPC Forced Conversion command.

### XPC Read Battery Voltage [33h]

The XPC read battery voltage command can be used to measure the current battery voltage. The length for this XPC command is one byte which is the command code. After the command code the master has to send one FFh byte to get the voltage conversion started. This command is only executed if no mission is in progress (MIP = 0). It cannot be interrupted and takes maximum  $t_{LSTD}$  to complete. During this time, memory access through the 1-Wire interface is blocked. The device behaves the same way as during a mission when the sampling interferes with a memory/control function command. After the delay, an additional FFh byte is read followed by the volt-

age conversion result and a CRC16. The 16-bit integer results can be converted to a voltage by dividing by 1024. Additional measurements can then be taken by issuing the first FFh byte again to repeat the sequence. This function is not available when the device is in the start state from factory until an XPC clear memory (log) sequence is done. At room temperature, a battery voltage of 2.5V or lower is considered marginal.

### Memory Access Conflicts

While a mission is in progress or while the device is waiting for a temperature alarm to start a mission, periodically a temperature sample is taken and logged. This internal activity has priority over 1-Wire communication. Consequently, device-specific commands (excluding ROM function commands, 1-Wire reset, and read/write scratchpad for the DS1925) do not perform properly when internal and external activities interfere with each other. Not affected are the commands start mission, forced conversion, and XPC clear memory (log), because they are not applicable while a mission is in progress or while the device is waiting for a temperature alarm. [Table 26](#) explains how the remaining three commands are affected by internal activity, how to detect this interference, and how to work around it.

When writing driver software, it is important to know about the possibility of interference and to take measures to work around it.

### Mission Backup Registers

The Mission Backup registers are used to provide a recovery mechanism for a mission that stops due to a depleted battery. The XPC Read Memory command functions in a battery depleted condition. This condition is detected if the backup RTC is all FFs, the backup Mission Time Stamp is all FFs, the MIP bit is not set, and Mission Samples Count is zero. The Mission Samples Count can then be recovered by reading the log data until FFs are detected. The Mission Time Stamp can be recovered from the Mission Backup registers. See [Figure 15](#) to see what registers are written to the Mission Backup registers.

### 1-Wire Bus System

The 1-Wire bus is a system that has a single bus master and one or more slaves. In all instances, the DS1925 is a slave device. The bus master is typically a microcontroller. The discussion of this bus system is broken down into three topics: hardware configuration, transaction sequence, and 1-Wire signaling (signal types and timing). The 1-Wire protocol defines bus transactions in terms of the bus state during specific time slots that are initiated on the falling edge of sync pulses from the bus master.

### Hardware Configuration

The 1-Wire bus has only a single line by definition; it is important that each device on the bus be able to drive it at the appropriate time. To facilitate this, each device attached to the 1-Wire bus must have open drain or three-state outputs. The 1-Wire port of the DS1925 is open drain with an internal circuit equivalent to that shown in [Figure 10](#).

A multidrop bus consists of a 1-Wire bus with multiple slaves attached. At standard speed the 1-Wire bus has

a maximum data rate of 16.3kbps. The speed can be boosted to 142kbps by activating the overdrive mode. The DS1925 maximum data rate in standard speed mode is 15.4kbps and 125kbps in overdrive mode. The value of the pullup resistor primarily depends on the network size and load conditions. The DS1925 requires a pullup resistor of maximum 2.2kΩ at any speed.

The idle state for the 1-Wire bus is high. If for any reason a transaction needs to be suspended, the bus must be left in the idle state if the transaction is to resume. If this does not occur and the bus is left low for more than 16μs (overdrive speed) or more than 120μs (standard speed), one or more devices on the bus can be reset. With the DS1925 the bus must be left low for no longer than 12μs at overdrive to ensure that no DS1925 on the 1-Wire bus performs a reset. The DS1925 communicates properly when used in conjunction with a DS2480B or DS2490 1-Wire driver and adapters that are based on these driver chips. During designated periods the DS2480 or DS2490 strong pullup feature must be enabled to provide sufficient power.

**Table 26. Memory Access Conflicts and Remedy**

| COMMAND      | INDICATION OF INTERFERENCE  | REMEDY   |
|--------------|---|--|
| XPC Commands | The data read changes to all FFh bytes or all bytes received are FFh, including the CRC at the end of the command flow. | Wait 20ms, 1-Wire reset, address the device, and repeat the command. |

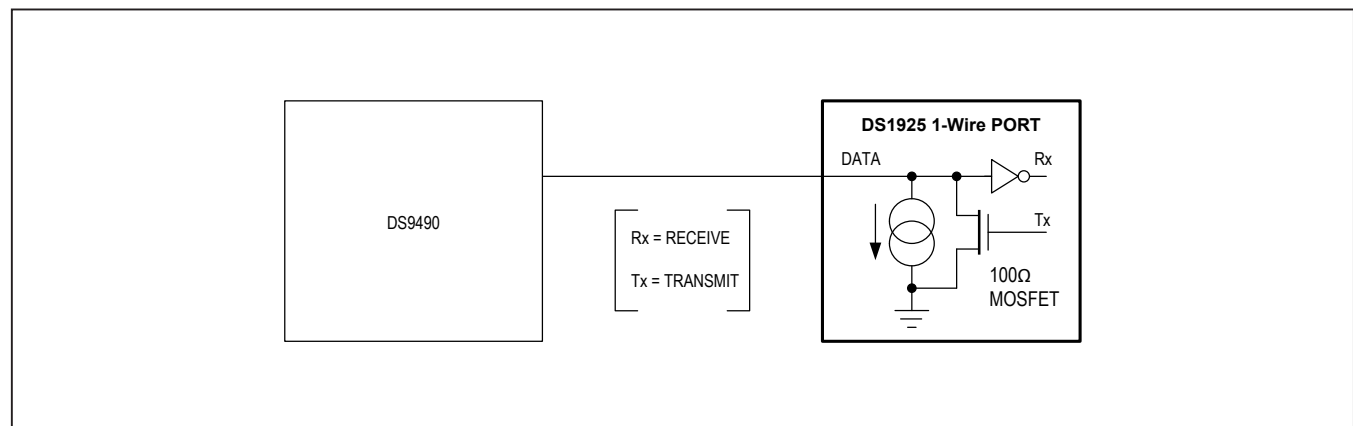


Figure 10. Hardware Configuration

## Transaction Sequence

The protocol for accessing the DS1925 through the 1-Wire port is as follows:

- Initialization
- ROM Function Command
- Memory/Control Function Command
- Transaction/Data

## Initialization

All transactions on the 1-Wire bus begin with an initialization sequence. The initialization sequence consists of a reset pulse transmitted by the bus master followed by presence pulse(s) transmitted by the slave(s). The presence pulse lets the bus master know that the DS1925 is on the bus and is ready to operate. For more details, see the [1-Wire Signaling](#) section.

## 1-Wire ROM Function Commands

Once the bus master has detected a presence, it can issue one of the eight ROM function commands that the DS1925 supports. All ROM function commands are 8 bits long. A list of these commands follows (see [Figure 11](#)).

### Read ROM [33h]

This command allows the bus master to read the DS1925's 8-bit family code, unique 48-bit serial number, and 8-bit CRC. This command can only be used if there is a single slave on the bus. If more than one slave is present on the bus, a data collision occurs when all slaves try to transmit at the same time (open drain produces a wired-AND result). The resultant family code and 48-bit serial number results in a mismatch of the CRC.

### Match ROM [55h]

The Match ROM command, followed by a 64-bit ROM sequence, allows the bus master to address a specific DS1925 on a multidrop bus. Only the DS1925 that exactly matches the 64-bit ROM sequence responds to the following memory function command. All other slaves wait for a reset pulse. This command can be used with a single or multiple devices on the bus.

## Search ROM [F0h]

When a system is initially brought up, the bus master might not know the number of devices on the 1-Wire bus or their registration numbers. By taking advantage of the wired-AND property of the bus, the master can use a process of elimination to identify the registration numbers of all slave devices. For each bit of the registration number, starting with the least significant bit, the bus master issues a triplet of time slots. On the first slot, each slave device participating in the search outputs the true value of its registration number bit. On the second slot, each slave device participating in the search outputs the complemented value of its registration number bit. On the third slot, the master writes the true value of the bit to be selected. All slave devices that do not match the bit written by the master stop participating in the search. If both of the read bits are zero, the master knows that slave devices exist with both states of the bit. By choosing which state to write, the bus master branches in the romcode tree. After one complete pass, the bus master knows the registration number of a single device. Additional passes identify the registration numbers of the remaining devices. Refer to [Application Note 187: 1-Wire Search Algorithm](#) for a detailed discussion, including an example.

## Conditional Search ROM [ECh]

The Conditional Search ROM command operates similarly to the Search ROM command except that only those devices that fulfill certain conditions participate in the search. This function provides an efficient means for the bus master to identify devices on a multidrop system that have to signal an important event. After each pass of the conditional search that successfully determined the 64-bit ROM code for a specific device on the multidrop bus, that particular device can be individually accessed as if a Match ROM had been issued, since all other devices will have dropped out of the search process and will be waiting for a reset pulse.

The DS1925 responds to the conditional search if one of the three alarm flags of the Alarm Status register (address 0214h) reads 1. The temperature alarm only occurs if enabled (see the [Temperature Sensor Alarm](#) section). The BOR alarm is always enabled. The first alarm that occurs makes the device respond to the Conditional Search ROM command.

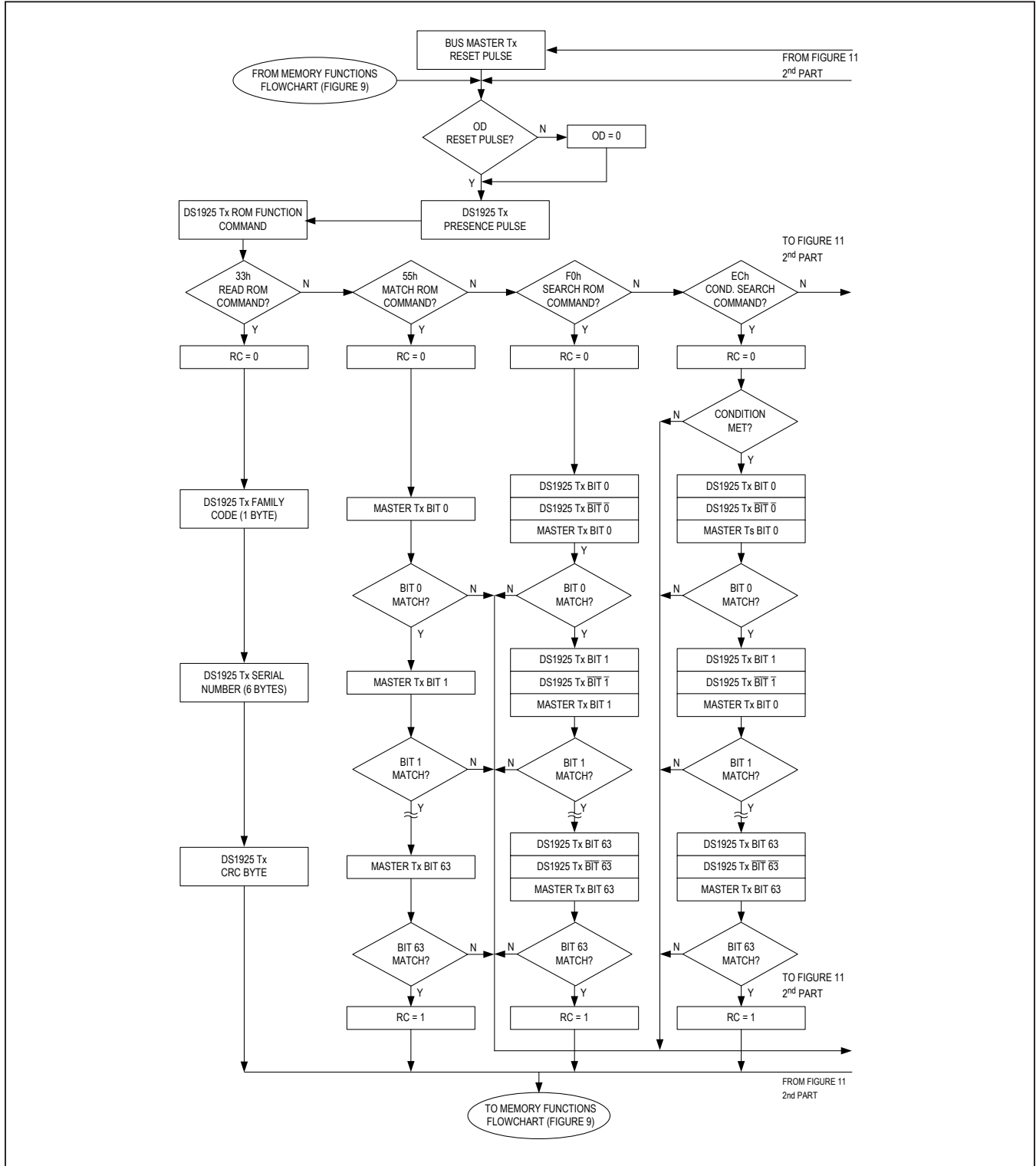


Figure 11a. ROM Functions Flowchart





**Skip ROM [CCh]**

This command can save time in a single-drop bus system by allowing the bus master to access the memory functions without providing the 64-bit ROM code. If more than one slave is present on the bus and, for example, a Read command is issued following the Skip ROM command, data collision occurs on the bus as multiple slaves transmit simultaneously (open-drain pulldowns produces a wired-AND result).

**Resume [A5h]**

The DS1925 needs to be accessed several times before a mission starts. In a multidrop environment this means that the 64-bit ROM code after a Match ROM command has to be repeated for every access. To maximize the data throughput in a multidrop environment, the Resume function was implemented. This function checks the status of the RC (resume control) bit and, if it is set, directly transfers control to the memory/control functions, similar to a Skip ROM command. The only way to set the RC bit is through successfully executing the Match ROM, Search ROM, or Overdrive-Match ROM command. Once the RC bit is set, the device can repeatedly be accessed through the Resume command function. Accessing another device on the bus clears the RC bit, preventing two or more devices from simultaneously responding to the Resume Command function.

**Overdrive-Skip ROM [3Ch]**

On a single-drop bus this command can save time by allowing the bus master to access the memory/control functions without providing the 64-bit ROM code. Unlike the normal Skip ROM command, the Overdrive-Skip ROM sets the DS1925 into overdrive mode ( $OD = 1$ ). All communication following this command has to occur at overdrive speed until a reset pulse of minimum 640 $\mu$ s duration resets all devices on the bus to standard speed ( $OD = 0$ ).

When issued on a multidrop bus, this command sets all overdrive-supporting devices into overdrive mode. To subsequently address a specific overdrive-supporting device, a reset pulse at overdrive speed has to be issued followed by a Match ROM or Search ROM command sequence. This speeds up the time for the search process. If more than one slave supporting overdrive is present on the bus and the Overdrive-Skip ROM command is followed by a Read command, data collision occurs on the bus as multiple slaves transmit simultaneously (open-drain pulldowns produce a wired-AND result).

**Overdrive-Match ROM [69h]**

The Overdrive-Match ROM command followed by a 64-bit ROM sequence transmitted at overdrive speed allows the bus master to address a specific DS1925 on a multidrop bus and to simultaneously set it in Overdrive mode. Only the DS1925 that exactly matches the 64-bit ROM sequence responds to the subsequent memory/control function command. Slaves already in overdrive mode from a previous Overdrive-Skip ROM or successful Overdrive-Match ROM command remain in overdrive mode. All overdrive-capable slaves return to standard speed at the next reset pulse of minimum 640 $\mu$ s duration. The Overdrive-Match ROM command can be used with a single device or multiple devices on the bus.

**1-Wire Signaling**

The DS1925 requires strict protocols to ensure data integrity. The protocol consists of four types of signaling on one line: reset sequence with reset pulse and presence pulse, write-zero, write-one, and read-data. Except for the presence pulse, the bus master initiates all these signals.

The DS1925 can communicate at two different speeds: standard speed and overdrive speed. If not explicitly set into overdrive mode, the DS1925 communicates at standard speed. While in overdrive mode the fast timing applies to all waveforms.

To get from idle to active, the voltage on the 1-Wire line needs to fall from  $V_{PUP}$  below the threshold  $V_{TL}$ . To get from active to idle, the voltage needs to rise from  $V_{ILMAX}$  past the threshold  $V_{TH}$ . The time it takes for the voltage to make this rise is seen in [Figure 12](#) as “ $\epsilon$ ” and its duration depends on the pullup resistor ( $R_{PUP}$ ) used and the capacitance of the 1-Wire network attached. The voltage  $V_{ILMAX}$  is relevant for the DS1925 when determining a logical level, not triggering any events.

[Figure 12](#) shows the initialization sequence required to begin any communication with the DS1925. A reset pulse followed by a presence pulse indicates the DS1925 is ready to receive data, given the correct ROM and memory function command. If the bus master uses slew-rate control on the falling edge, it must pull down the line for  $t_{RSTL} + t_F$  to compensate for the edge. A  $t_{RSTL}$  duration of 640 $\mu$ s or longer exits overdrive mode, returning the device to standard speed. If the DS1925 is in overdrive mode and  $t_{RSTL}$  is no longer than 80 $\mu$ s, the device remains in overdrive mode.

After the bus master has released the line it goes into receive mode (Rx). Now the 1-Wire bus is pulled to  $V_{PUP}$  through the pullup resistor or, in case of a DS2490 driver, by active circuitry. When the threshold  $V_{TH}$  is crossed, the DS1925 waits for  $t_{PDH}$  and then transmits a presence pulse by pulling the line low for  $t_{PDL}$ . To detect a presence pulse, the master must test the logical state of the 1-Wire line at  $t_{MSP}$ .

The  $t_{RSTH}$  window must be at least the sum of  $t_{PDHMAX}$ ,  $t_{PDLMAX}$ , and  $t_{RECMIN}$ . Immediately after  $t_{RSTH}$  is expired, the DS1925 is ready for data communication. In a mixed population network  $t_{RSTH}$  should be extended to minimum  $480\mu s$  at standard speed and  $48\mu s$  at overdrive speed to accommodate other 1-Wire devices.

**Read-/Write-Time Slots**

Data communication with the DS1925 takes place in time slots, which carry a single bit each. Write time slots transport data from bus master to slave. Read time slots transfer data from slave to master. The definitions of the write and read time slots are illustrated in Figure 13.

All communication begins with the master pulling the data line low. As the voltage on the 1-Wire line falls below the threshold  $V_{TL}$ , the DS1925 starts its internal timing

generator that determines when the data line is sampled during a write time slot and how long data is valid during a read time slot.

**Master-to-Slave**

For a **write-one** time slot, the voltage on the data line must have crossed the  $V_{TH}$  threshold before the write-one low time  $t_{W1LMAX}$  is expired. For a **write-zero** time slot, the voltage on the data line must stay below the  $V_{TH}$  threshold until the write-zero low time  $t_{W0LMIN}$  is expired. The voltage on the data line should not exceed  $V_{ILMAX}$  during the entire  $t_{W0L}$  or  $t_{W1L}$  window. After the  $V_{TH}$  threshold has been crossed, the DS1925 needs a recovery time  $t_{REC}$  before it is ready for the next time slot.

**Slave-to-Master**

A **read-data** time slot begins like a write-one time slot. The voltage on the data line must remain below  $V_{TL}$  until the read low time  $t_{RL}$  is expired. During the  $t_{RL}$  window, when responding with a 0, the DS1925 starts pulling the data line low; its internal timing generator determines when this pulldown ends and the voltage starts rising again. When responding with a 1, the DS1925 does not hold the data line low at all, and the voltage starts rising as soon as  $t_{RL}$  is over.

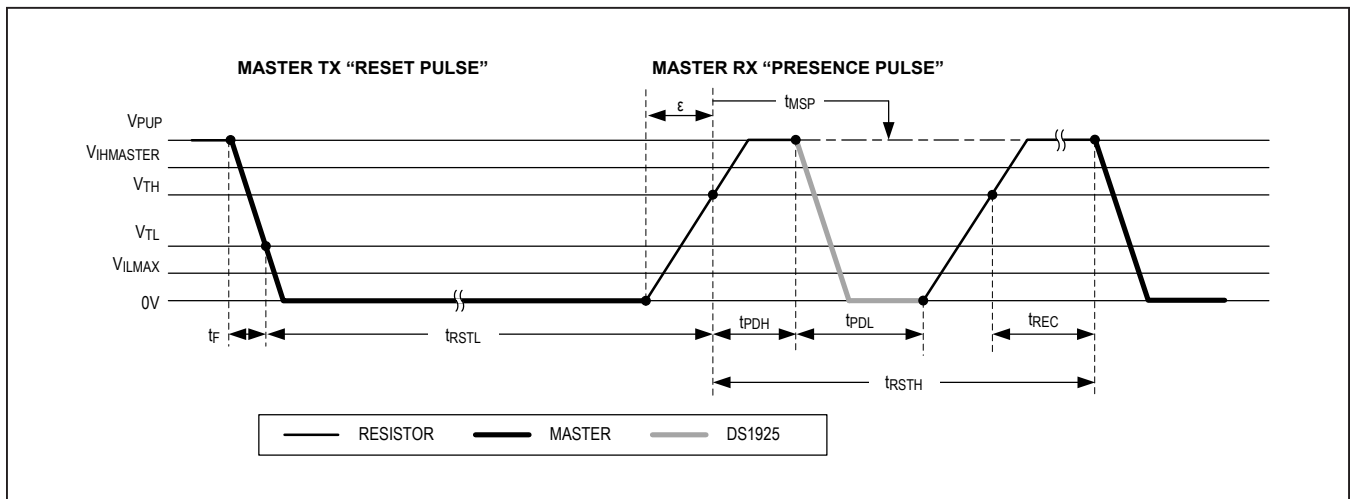


Figure 12. Initialization Procedure: Reset and Presence Pulse

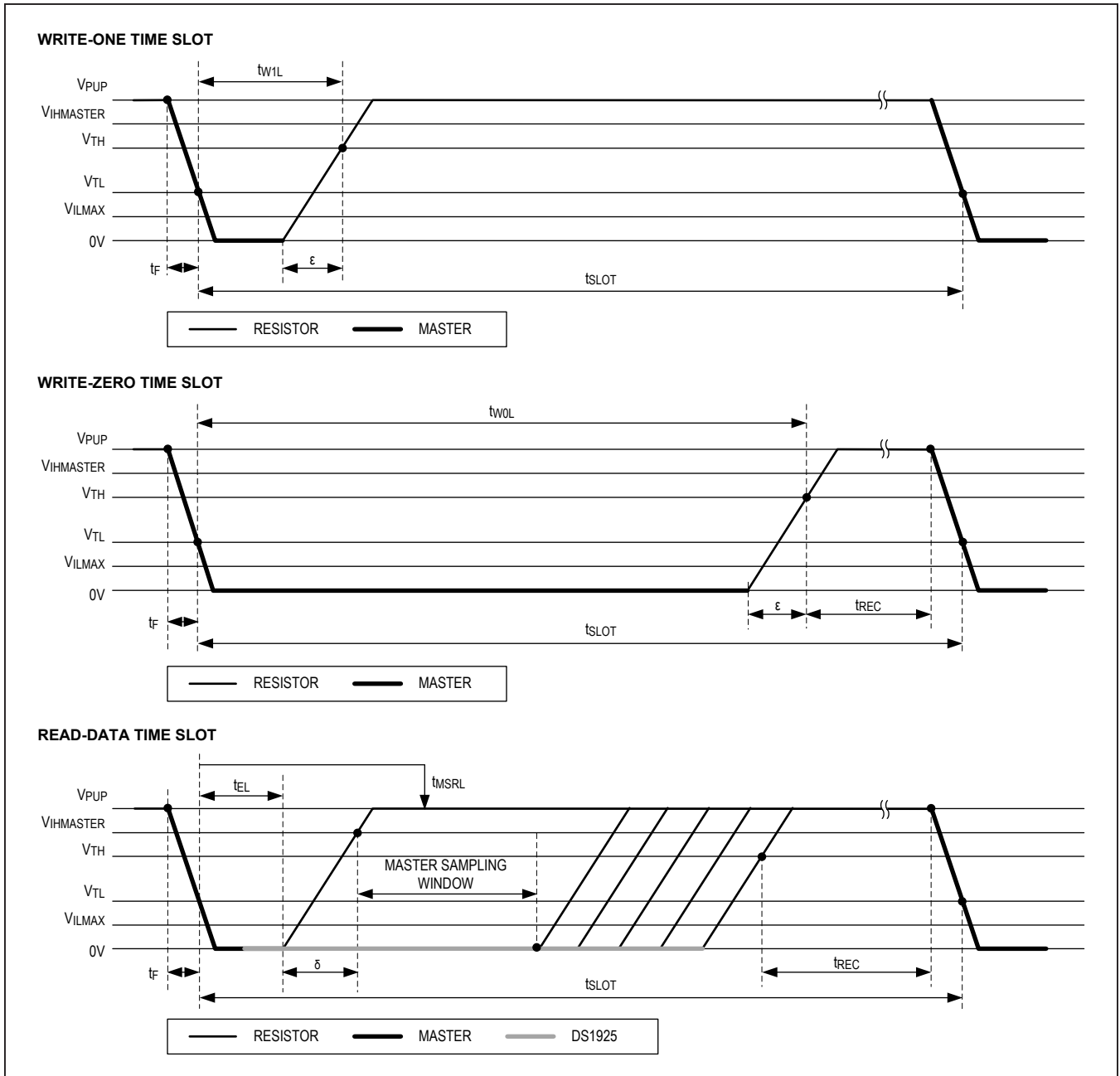


Figure 13. Read/Write Timing Diagrams

The sum of  $t_{RL} + \delta$  (rise time) on one side and the internal timing generator of the DS1925 on the other side define the master sampling window ( $t_{MSRMIN}$  to  $t_{MSRMAX}$ ) in which the master must perform a read from the data line. For most reliable communication,  $t_{RL}$  should be as short as permissible and the master should read close to but no later than  $t_{MSRMAX}$ . After reading from the data line, the master must wait until  $t_{SLOT}$  is expired. This guarantees sufficient recovery time  $t_{REC}$  for the DS1925 to get ready for the next time slot.

### CRC Generation

With the DS1925 there are two different types of CRCs (cyclic redundancy checks). One CRC is an 8-bit type and is stored in the most significant byte of the 64-bit ROM. The bus master can compute a CRC value from the first 56 bits of the 64-bit ROM and compare it to the value stored within the DS1925 to determine if the ROM data has been received error-free. The equivalent polynomial function of this CRC is  $X^8 + X^5 + X^4 + 1$ . This 8-bit CRC is received in the true (noninverted) form. It is computed at the factory and lasered into the ROM.

The other CRC is a 16-bit type, generated according to the standardized CRC-16 polynomial function  $x^{16} + x^{15} + x^2 + 1$ . This CRC is used for error detection when reading register pages or the data-log memory using the XPC Read Memory command and for fast verification of a data transfer when writing to or reading from the scratchpad. In contrast to the 8-bit CRC, the 16-bit CRC is always communicated in the inverted form. A CRC-generator

inside the DS1925 (Figure 14) calculates a new 16-bit CRC as shown in Figure 9. The bus master compares the CRC value read from the device to the one it calculates from the data and decides whether to continue with an operation or to reread the portion of the data with the CRC error. With the initial pass through the XPC Read Memory flowchart, the 16-bit CRC value is the result of shifting the command byte into the cleared CRC generator, followed by the two address bytes and the data bytes. The password is excluded from the CRC calculation. Subsequent passes through the XPC Read Memory flowchart generate a 16-bit CRC that is the result of clearing the CRC generator and then shifting in the data bytes.

With the Write Scratchpad command, the CRC is generated by first clearing the CRC generator and then shifting in the command code, the target addresses TA1 and TA2, and all the data bytes. The DS1925 transmits this CRC only if the data bytes written to the scratchpad include scratchpad ending offset 11111b. The data can start at any location within the scratchpad.

With the Read Scratchpad command, the CRC is generated by first clearing the CRC generator and then shifting in the command code, the target addresses TA1 and TA2, the E/S byte, and the scratchpad data starting at the target address. The DS1925 transmits this CRC only if the reading continues through the end of the scratchpad, regardless of the actual ending offset. For more information on generating CRC values, refer to Application Note 27: *Understanding and Using Cyclic Redundancy Checks with Maxim 1-Wire and iButton Products*.

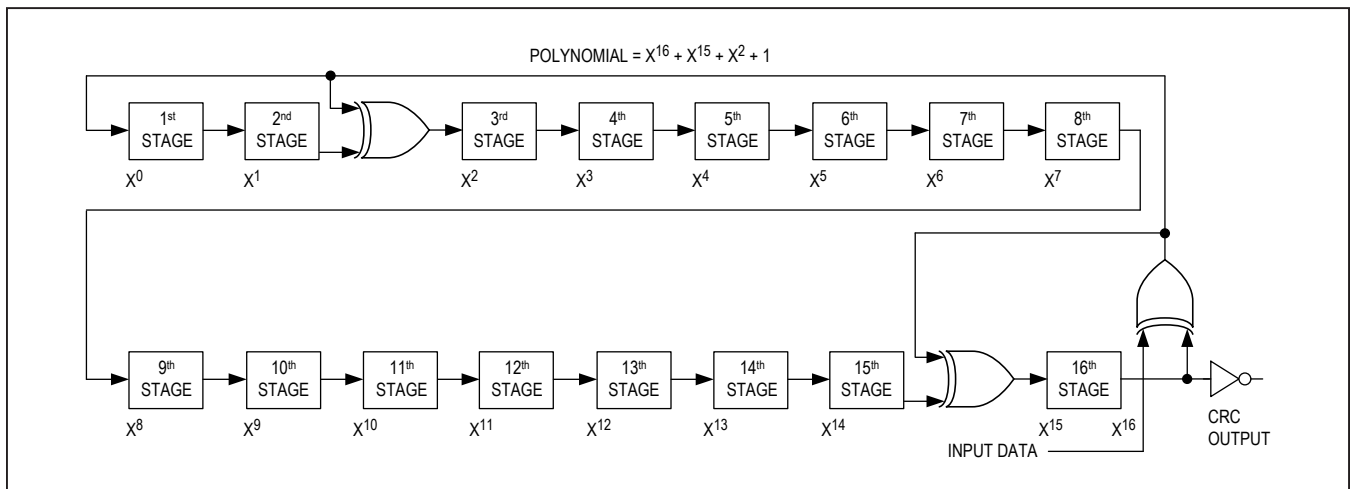


Figure 14. CRC-16 Hardware Description and Polynomial

| ADDR (OFFSET 0060h) | FUNCTION                            | WRITTEN ON "XPC CLEAR MEMORY" (LOG) | WRITTEN ON "XPC START MISSION" (OR AT TIME OF SUTA) | WRITTEN ON "XPC STOP MISSION" | RESTORED AFTER 'CLEAR MEMORY STATE' |
|---------------------|-------------------------------------|-------------------------------------|---|-------------------------------|-------------------------------------|
| 0200h               | Real-Time Clock Registers (seconds) |                                     |   | Marks the end of the mission  |                                     |
| 0201h               |                                     |                                     |   |                               |                                     |
| 0202h               |                                     |                                     |   |                               |                                     |
| 0203h               |                                     |                                     |   |                               |                                     |
| 0204h               |                                     |                                     |   |                               |                                     |
| 0205h               |                                     |                                     |   |                               |                                     |
| 0206h               | Sample Rate                         |                                     |   |                               |                                     |
| 0207h               |                                     |                                     |   |                               |                                     |
| 0208h               | Temp. Alarms                        |                                     |   |                               |                                     |
| 0209h               |                                     |                                     |   |                               |                                     |
| 020Ah               |                                     |                                     |   |                               |                                     |
| 020Bh               |                                     |                                     |   |                               |                                     |
| 020Ch               | Latest Temp.                        |                                     |   |                               |                                     |
| 020Dh               |                                     |                                     |   |                               |                                     |
| 020Eh               |                                     |                                     |   |                               |                                     |
| 020Fh               |                                     |                                     |   |                               |                                     |
| 0210h               | T.Alm.En.                           |                                     |   |                               |                                     |
| 0211h               |                                     |                                     |   |                               |                                     |
| 0212h               | RTC En.                             |                                     |   |                               |                                     |
| 0213h               | Mis. Cntrl.                         |                                     |   |                               |                                     |
| 0214h               | Alm. Stat.                          |                                     |   |                               |                                     |
| 0215h               | Gen. Stat.                          | (MEMCLR bit only)                   | (MEMCLR bit only)                                   |                               |                                     |
| 0216h               | Start Delay Counter                 |                                     |   |                               |                                     |
| 0217h               |                                     |                                     |   |                               |                                     |
| 0218h               |                                     |                                     |   |                               |                                     |
| 0219h               |                                     |                                     |   |                               |                                     |
| 021Ah               | Mission Time Stamp                  |                                     |   |                               |                                     |
| 021Bh               |                                     |                                     |   |                               |                                     |
| 021Ch               |                                     |                                     |   |                               |                                     |
| 021Dh               | Version                             |                                     |   |                               |                                     |
| 021Eh               |                                     |                                     |   |                               |                                     |
| 021Fh               | Test Mode Flag (AA for TM)          |                                     |   |                               |                                     |

Figure 15. Mission Backup Registers, Write Behavior

| ADDR<br>(OFFSET<br>0060h) | FUNCTION                   | WRITTEN ON<br>"XPC CLEAR<br>MEMORY" (LOG) | WRITTEN ON "XPC<br>START MISSION"<br>(OR AT TIME OF<br>SUTA) | WRITTEN ON<br>"XPC STOP<br>MISSION" | RESTORED AFTER<br>'CLEAR MEMORY<br>STATE' |
|---------------------------|----------------------------|---|--|-------------------------------------|---|
| 0220h                     | Mission Samples<br>Counter |   |  |                                     |   |
| 0221h                     |                            |   |  |                                     |   |
| 0222h                     |                            |   |  |                                     |   |
| 0223h                     | Device Samples<br>Counter  |   |  |                                     |   |
| 0224h                     |                            |   |  |                                     |   |
| 0225h                     |                            |   |  |                                     |   |
| 0226h                     | Flavor                     |   |  |                                     |   |
| 0227h                     | PW. Cntrl.                 |   |  |                                     |   |
| 0228h                     | Read Access<br>Password    |   |  |                                     |   |
| 0229h                     |                            |   |  |                                     |   |
| 022Ah                     |                            |   |  |                                     |   |
| 022Bh                     |                            |   |  |                                     |   |
| 022Ch                     |                            |   |  |                                     |   |
| 022Dh                     |                            |   |  |                                     |   |
| 022Eh                     |                            |   |  |                                     |   |
| 022Fh                     |                            |   |  |                                     |   |
| 0230h                     | Full Access<br>Password    |   |  |                                     |   |
| 0231h                     |                            |   |  |                                     |   |
| 0232h                     |                            |   |  |                                     |   |
| 0233h                     |                            |   |  |                                     |   |
| 0224h                     |                            |   |  |                                     |   |
| 0225h                     |                            |   |  |                                     |   |
| 0226h                     |                            |   |  |                                     |   |
| 0227h                     |                            |   |  |                                     |   |
| 0238h                     |                            |   |  | Mission Duration<br>in<br>seconds   |   |
| 0239h                     |                            |   |  |                                     |   |
| 023Ah                     |                            |   |  |                                     |   |
| 023Bh                     |                            |   |  |                                     |   |
| 023Ch                     |                            |   |  |                                     |   |
| 023Dh                     |                            |   |  |                                     |   |
| 023Eh                     |                            |   |  |                                     |   |
| 023Fh                     |                            |   |  |                                     |   |

Figure 15. Mission Backup Registers, Write Behavior (continued)

**Command-Specific 1-Wire Communication Protocol—Legend**

| SYMBOL                    | DESCRIPTION  |
|---------------------------|--|
| RST                       | 1-Wire reset pulse generated by master   |
| PD                        | 1-Wire presence pulse generated by slave   |
| Select                    | Command and data to satisfy the ROM function protocol                                |
| WS                        | Command “Write Scratchpad”   |
| RS                        | Command “Read Scratchpad”  |
| CPS                       | Command “XPC Copy Scratchpad”  |
| CM                        | Command “XPC Clear Memory”   |
| FC                        | Command “XPC Forced Conversion”  |
| SM                        | Command “XPC Start Mission”  |
| STP                       | Command “XPC Stop Mission”   |
| XPC                       | Command “External Power Command”   |
| RR                        | Command “XPC Read Memory”  |
| RB                        | Command “XPC Read Battery Voltage”   |
| TA                        | Target Address TA1, TA2  |
| TA-E/S                    | Target Address TA1, TA2 with E/S byte  |
| <data to EOS>             | Transfer of as many data bytes as are needed to reach the scratchpad offset 1Fh      |
| <data to EOP>             | Transfer of as many data bytes as are needed to reach the end of a memory page       |
| <data to EOM>             | Transfer of as many data bytes as are needed to reach the end of the data-log memory |
| <PW/dummy>                | Transfer of 8 bytes that either represent a valid password or acceptable dummy data  |
| <32 bytes>                | Transfer of 32 bytes   |
| <data>                    | Transfer of an undetermined amount of data   |
| FFh                       | Transmission of one byte FFh   |
| $\overline{\text{CRC16}}$ | Transfer of an inverted CRC-16   |
| FF loop                   | Indefinite loop where the master reads FF bytes                                      |
| AA loop                   | Indefinite loop where the master reads AA bytes                                      |

**Command-Specific 1-Wire Communication Protocol—Color Codes**

|                 |                 |
|-----------------|-----------------|
| MASTER TO SLAVE | SLAVE TO MASTER |
|-----------------|-----------------|



## 1-Wire Communication Examples

### Write Scratchpad, reaching the end of the Scratchpad (cannot fail)

|     |    |        |    |    |               |       |         |
|-----|----|--------|----|----|---------------|-------|---------|
| RST | PD | Select | WS | TA | <data to EOS> | CRC16 | FF loop |
|-----|----|--------|----|----|---------------|-------|---------|

### Read Scratchpad (cannot fail)

|     |    |        |    |        |               |       |         |
|-----|----|--------|----|--------|---------------|-------|---------|
| RST | PD | Select | RS | TA-E/S | <data to EOS> | CRC16 | FF loop |
|-----|----|--------|----|--------|---------------|-------|---------|

### XPC Copy Scratchpad

|     |    |        |     |     |     |        |            |       |              |       |     |             |
|-----|----|--------|-----|-----|-----|--------|------------|-------|--------------|-------|-----|-------------|
| RST | PD | Select | XPC | 0Ch | CPS | TA-E/S | <PW/dummy> | CRC16 | Release byte | (SPU) | FFh | Result Loop |
|-----|----|--------|-----|-----|-----|--------|------------|-------|--------------|-------|-----|-------------|

### XPC Clear Memory (log)

|     |    |        |     |     |    |    |    |       |                |       |     |             |
|-----|----|--------|-----|-----|----|----|----|-------|----------------|-------|-----|-------------|
| RST | PD | Select | XPC | 0Ah | CM | 01 | PW | CRC16 | <Release byte> | (SPU) | FFh | Result Loop |
|-----|----|--------|-----|-----|----|----|----|-------|----------------|-------|-----|-------------|

To verify success, read the General Status register at address 0215h. If MEMCLR is 1, the command was executed successfully.

### XPC Forced Conversion

|     |    |        |     |     |    |       |                |       |     |             |       |
|-----|----|--------|-----|-----|----|-------|----------------|-------|-----|-------------|-------|
| RST | PD | Select | XPC | 01h | FC | CRC16 | <Release byte> | (SPU) | FFh | Temp Result | CRC16 |
|-----|----|--------|-----|-----|----|-------|----------------|-------|-----|-------------|-------|

To read the result and to verify success, read the addresses 020Ch–020Fh (results) and the Device Samples Counter at address 0223h–0225h. If the count has incremented, the command was executed successfully.

### XPC Read Battery Voltage

|     |    |        |     |     |    |       |                |       |     |                |       |
|-----|----|--------|-----|-----|----|-------|----------------|-------|-----|----------------|-------|
| RST | PD | Select | XPC | 01h | RB | CRC16 | <Release byte> | (SPU) | FFh | Battery Result | CRC16 |
|-----|----|--------|-----|-----|----|-------|----------------|-------|-----|----------------|-------|

### XPC Start Mission

|     |    |        |     |     |    |            |       |              |       |     |             |
|-----|----|--------|-----|-----|----|------------|-------|--------------|-------|-----|-------------|
| RST | PD | Select | XPC | 09h | SM | <PW/dummy> | CRC16 | Release byte | (SPU) | FFh | Result Loop |
|-----|----|--------|-----|-----|----|------------|-------|--------------|-------|-----|-------------|

To verify success, read the General Status register at address 0215h. If MIP is 1 and MEMCLR is 0, the command was executed successfully.

### XPC Stop Mission

|     |    |        |     |     |     |            |       |              |       |     |             |
|-----|----|--------|-----|-----|-----|------------|-------|--------------|-------|-----|-------------|
| RST | PD | Select | XPC | 09h | STP | <PW/dummy> | CRC16 | Release byte | (SPU) | FFh | Result Loop |
|-----|----|--------|-----|-----|-----|------------|-------|--------------|-------|-----|-------------|

To verify success, read the General Status register at address 0215h. If MIP is 0, the command was executed successfully.

### XPC Read Memory (Success)

|     |    |        |     |     |    |         |    |       |                |       |
|-----|----|--------|-----|-----|----|---------|----|-------|----------------|-------|
| RST | PD | Select | XPC | 0Bh | RR | TA1 TA2 | PW | CRC16 | <Release byte> | (SPU) |
|-----|----|--------|-----|-----|----|---------|----|-------|----------------|-------|



LOOP UNTIL END OF MEMORY

### Mission Example: Prepare and Start a New Mission

Assumption: The previous mission has been ended by using the XPC Stop Mission command. Passwords are not enabled. The device is a DS1925.

Starting a mission requires four steps:

Step 1: Clear the data of the previous mission.

Step 2: Write the setup data to register page 1.

Step 3: Start the mission.

#### Mission Example: Step 1

Clear the previous mission. With only a single device connected to the bus master, the Step 1 communication looks like [Table 27](#).

#### Mission Example: Step 2

During the setup, the device needs to learn the following information:

- Time and Date
- Sample Rate

- Alarm Thresholds
- Alarm Controls (Response to Conditional Search)
- General Mission Parameters (e.g., channels to log and logging format, rollover, start mode)
- Mission Start Delay

[Table 28](#) shows the data that sets up the DS1925 for a mission that logs temperature using 11-bit format. Such a mission could last up to 435 days until the 122KB data-log memory is full. With only a single device connected to the bus master, the Step 2 communication looks like [Table 29](#).

#### Mission Example: Step 3

Start the new mission. With only a single device connected to the bus master, the communication of Step 3 looks like [Table 29](#). If Step 3 is successful, the MIP bit in the General Status register is 1, the MEMCLR bit is 0, and the mission start delay counts down.

**Table 27. Clear the Previous Mission Communication**

| MASTER MODE | DATA (LSB FIRST) | COMMENTS  |
|-------------|------------------|---|
| Tx          | (Reset)          | Reset pulse   |
| Rx          | (Presence)       | Presence pulse  |
| Tx          | CCh              | Issue "Skip ROM" command                                  |
| Tx          | 66h              | Issue "XPC Command" command                               |
| Tx          | 0Ah              | Issue length byte   |
| Tx          | 96h              | Issue "XPC Clear Memory" sub-command                      |
| Tx          | 01h              | Parameter indicating "log" memory                         |
| Tx          | <8 FFh bytes>    | Send dummy password                                       |
| Rx          | <2 byte CRC16>   | Read CRC of preceding bytes                               |
| Tx          | FFh              | Send release byte   |
|             |                  | Strong pullup and delay to perform memory clear $t_{CML}$ |
| Rx          | (Repeat Byte)    | Read repeat byte to indicate success                      |

**Table 28. Data for Temperature-Logging Mission (11-Bit Format)**

| ADDRESS | DATA | EXAMPLE VALUES                           | FUNCTION                                      |
|---------|------|--|---|
| 0200h   | 4Bh  |  |   |
| 0201h   | 32h  | April 23, 2015 1:59pm                    | Time/Date                                     |
| 0202h   | 39h  |  |   |
| 0203h   | 55h  |  |   |
| 0204h   | 00h  | (Don't care)                             |   |
| 0205h   | 00h  |  |   |
| 0206h   | 0Ah  | Every 10 minutes (EHSS = 0)              | Sample Rate                                   |
| 0207h   | 00h  |  |   |
| 0208h   | 52h  | 0°C low                                  | Temperature Alarm                             |
| 0209h   | 66h  | 10°C high                                | Threshold                                     |
| 020Ah   | 00h  |  |   |
| 020Bh   | FFh  | (Don't care)                             | (Not applicable with DS1925)                  |
| 020Ch   | FFh  |  |   |
| 020Dh   | FFh  | (Don't care)                             | Clock Through                                 |
| 020Eh   | FFh  |  | Read-Only Registers                           |
| 020Fh   | FFh  |  |   |
| 0210h   | 02h  | Enable high alarm                        | Temperature Alarm Control                     |
| 0211h   | FCh  |  | (Not applicable with DS1925)                  |
| 0212h   | 01h  | On (enabled), EHSS = 0 (low sample rate) | RTC Oscillator Control, Sample Rate Selection |
| 0213h   | C5h  | Normal start; 11-bit temperature log     | General Mission Control                       |
| 0214h   | FFh  | (Don't care)                             | Clock Through                                 |
| 0215h   | FFh  |  | Read-Only Registers                           |
| 0216h   | 5Ah  |  |   |
| 0217h   | 00h  | 90 minutes                               | Mission Start Delay                           |
| 0218h   | 00h  |  |   |

**Table 29. Write Setup Data to Register Page 1 Communication**

| MASTER MODE | DATA (LSB FIRST) | COMMENTS   |
|-------------|------------------|--|
| Tx          | (Reset)          | Reset pulse  |
| Rx          | (Presence)       | Presence pulse                                     |
| Tx          | CCh              | Issue "Skip ROM" command                           |
| Tx          | 0Fh              | Issue "Write Scratchpad" command                   |
| Tx          | 00h              | TA1, beginning offset = 00h                        |
| Tx          | 02h              | TA2, address = 0200h                               |
| Tx          | <25 data bytes>  | Write 25 bytes of data to scratchpad               |
| Tx          | <7 FFh bytes>    | Write through the end of the scratchpad            |
| Rx          | <2 byte CRC16>   | Read CRC of preceding bytes                        |
| Tx          | (Reset)          | Reset pulse  |
| Rx          | (Presence)       | Presence pulse                                     |
| Tx          | CCh              | Issue "Skip ROM" command                           |
| Tx          | AAh              | Issue "Read Scratchpad" command                    |
| Rx          | 00h              | Read TA1, beginning offset = 00h                   |
| Rx          | 02h              | Read TA2, address = 0200h                          |
| Rx          | 1Fh              | Read E/S, ending offset = 1Fh, flags = 0h          |
| Rx          | <32 data bytes>  | Read scratchpad data and verify                    |
| Tx          | (Reset)          | Reset pulse  |
| Rx          | (Presence)       | Presence pulse                                     |
| Tx          | CCh              | Issue "Skip ROM" command                           |
| Tx          | 66h              | Issue "XPC Command" command                        |
| Tx          | 0Ch              | Issue length byte                                  |
| Tx          | 99h              | Issue "XPC Copy Scratchpad" subcommand             |
| Tx          | 00h              | TA1  |
| Tx          | 02h              | TA2 (AUTHORIZATION CODE)                           |
| Tx          | 1Fh              | E/S  |
| Tx          | <8 FFh bytes>    | Send dummy password                                |
| Rx          | <2 byte CRC16>   | Read CRC of preceding bytes                        |
| Tx          | FFh              | Send release byte                                  |
| —           | —                | Delay to perform XPC Copy Scratchpad ( $t_{STD}$ ) |
| Tx          | FFh              | Send dummy byte                                    |
| Rx          | (Repeat byte)    | Read repeat byte to indicate success               |

**Table 30. Start the New Mission Communication**

| MASTER MODE | DATA (LSB FIRST) | COMMENTS  |
|-------------|------------------|---|
| Tx          | (Reset)          | Reset pulse                                       |
| Rx          | (Presence)       | Presence pulse                                    |
| Tx          | CCh              | Issue "Skip ROM" command                          |
| Tx          | 66h              | Issue "XPC Command" command                       |
| Tx          | 09h              | Issue length byte                                 |
| Tx          | DDh              | Issue "XPC Start Mission" subcommand              |
| Tx          | <8 FFh bytes>    | Send dummy password                               |
| Rx          | <2 byte CRC16)   | Read CRC of preceding bytes                       |
| Tx          | FFh              | Send release byte                                 |
| —           | —                | Delay to perform XPC Start Mission ( $t_{LSTD}$ ) |
| Tx          | FFh              | Send dummy byte                                   |
| Rx          | (Repeat Byte)    | Read repeat byte to indicate success              |
| Tx          | (Reset)          | Reset pulse                                       |
| Rx          | (Presence)       | Presence pulse                                    |

## Ordering Information

| PART        | TEMP RANGE     | PIN-PACKAGE    |
|-------------|----------------|----------------|
| DS1925L-F5# | -40°C to +85°C | iButton F5 Can |

#Denotes a RoHS-compliant device that can include lead(Pb) that is exempt under the RoHS requirements.

## Package Information

For the latest package outline information and land patterns (footprints), go to [www.maximintegrated.com/packages](http://www.maximintegrated.com/packages). Note that a "+", "#", or "-" in the package code indicates RoHS status only. Package drawings may show a different suffix character, but the drawing pertains to the package regardless of RoHS status.

| PACKAGE TYPE   | PACKAGE CODE | OUTLINE NO.             | LAND PATTERN NO. |
|----------------|--------------|-------------------------|------------------|
| iButton F5 Can | IB#6CB       | <a href="#">21-0266</a> | —                |

## Revision History

| REVISION NUMBER | REVISION DATE | DESCRIPTION   | PAGES CHANGED                         |
|-----------------|---------------|---|---------------------------------------|
| 0               | 3/16          | Initial release   | —                                     |
| 1               | 4/16          | Updated <i>Typical Application Circuit</i> , <i>Electrical Characteristics</i> table, <i>Pin Configuration</i> , Figure 2, <i>Clear Memory State</i> section, Table 1, Figure 5, <i>Sample Rate</i> section, <i>RTC Control</i> section, Table 10, Table 16, <i>Other Indicator</i> section, <i>Security by Password</i> section, <i>Missioning</i> section, <i>Writing with Verification</i> section, <i>Write Scratchpad Command [0Fh]</i> section, removed <i>Copy Scratchpad with Password Command [99h]</i> section, updated Figures 9b, 9c, 9d, 9e, 9f, removed <i>Start Mission with Password [CCh]</i> and <i>Stop Mission with Password [33h]</i> sections, updated <i>External Power Command (XPC) [66h]</i> section, <i>XPC Read Memory [44h]</i> section, <i>XPC Clear Memory [96h]</i> section, <i>XPC Forced Conversion [4Bh]</i> section, <i>XPC Read Battery Voltage [33h]</i> section, added <i>Mission Backup Registers</i> section, updated Table 25, <i>CRC Generation</i> section, <i>Command-Specific 1-Wire Communication Protocol—Legend</i> table, <i>1-Wire Communication Examples</i> , <i>Mission Example: Prepare and Start a New Mission</i> section, Table 28, and added Figure 15 | 1–3, 6–8, 11, 13, 15–20, 22–29, 36–45 |
| 2               | 10/16         | Updated <i>Product Lifetime</i> diagram   | 5                                     |
| 3               | 1/19          | Updated <i>Typical Product Lifetime</i> figure, <i>Memory</i> section, Figure 6, Table 6, <i>Mission Timestamp</i> section, added device version, Table 19, and renumbered Tables 20–30<br><br>BOR behavior:<br>01h (major), 16h (minor): BOR bit (msbit 0214h) is not functional.<br>01h (major), 17h (minor) and higher: BOR bit (msbit 0214h) is functional. Cleared on XPC Clear Memory (log).  | 5, 9, 10, 12, 14–17, 30, 42–45        |

For pricing, delivery, and ordering information, please contact Maxim Direct at 1-888-629-4642, or visit Maxim Integrated's website at [www.maximintegrated.com](http://www.maximintegrated.com).

Maxim Integrated cannot assume responsibility for use of any circuitry other than circuitry entirely embodied in a Maxim Integrated product. No circuit patent licenses are implied. Maxim Integrated reserves the right to change the circuitry and specifications without notice at any time. The parametric values (min and max limits) shown in the *Electrical Characteristics* table are guaranteed. Other parametric values quoted in this data sheet are provided for guidance.